



# 14

**TIEMME**  
ORIGINAL ITALIAN TRADEMARK



14



**NEW SERIE  
COMPACT**

serie 1650

**RACCORDI A  
PRESSARE  
PER TUBO  
MULTISTRATO  
"AL-COBRAPEX"**

**PRESS-FITTINGS  
FOR MULTILAYER  
PIPE**

RACCORDI MULTIPINZA FINO A Ø 32  
FITTING MULTI-JAWS UP TO Ø 32

**RACCORDI A PRESSARE PER TUBO MULTISTRATO "COMPACT" IN OTTONE CW617N - ISO 228**  
**PRESS-FITTINGS FOR MULTILAYER PIPE "COMPACT" BRASS CW617N - ISO 228**



**ART. 1650CT**  
 Raccordo diritto maschio  
*Straight fitting male*



CODICE Code	TIPO Size	PREZZO Price €	CONF. Unit/Box
1650G001604CT	16 x 2,0 - 1/2"	1,97	10/100
1650G001605CT	16 x 2,0 - 3/4"	3,49	10/100
1650G002004CT	20 x 2,0 - 1/2"	2,35	10/100
1650G002005CT	20 x 2,0 - 3/4"	3,09	10/100
1650G002605CT	26 x 3,0 - 3/4"	4,52	10/50
1650G003206CT	32 x 3,0 - 1"	7,98	5/25



**ART. 1651CT**  
 Raccordo diritto doppio  
*Straight fitting double*



CODICE Code	TIPO Size	PREZZO Price €	CONF. Unit/Box
1651G161600CT	16 x 2,0 - 16 x 2,0	3,38	10/100
1651G202000CT	20 x 2,0 - 20 x 2,0	4,37	10/100
1651G262600CT	26 x 2,0 - 26 x 2,0	5,86	5/50
1651G323200CT	32 x 2,0 - 32 x 2,0	10,14	5/25



**ART. 1652CT**  
 Raccordo diritto femmina  
*Straight fitting female*



CODICE Code	TIPO Size	PREZZO Price €	CONF. Unit/Box
1652G001604CT	16 x 2,0 - 1/2"	2,49	10/100
1652G002004CT	20 x 2,0 - 1/2"	3,35	10/100
1652G002605CT	26 x 3,0 - 3/4"	5,49	5/25
1652G003206CT	32 x 3,0 - 1"	8,73	5/25



**ART. 1654CT**  
 Raccordo curvo maschio  
*Elbow male*



CODICE Code	TIPO Size	PREZZO Price €	CONF. Unit/Box
1654G001604CT	16 x 2,0 - 1/2"	4,00	10/100
1654G002004CT	20 x 2,0 - 1/2"	3,68	10/100
1654G002005CT	20 x 2,0 - 3/4"	5,53	10/50
1654G002605CT	26 x 2,0 - 3/4"	6,41	5/50
1654G003206CT	32 x 2,0 - 1"	12,91	5/25



**ART. 1655CT**  
 Raccordo curvo femmina  
*Elbow female*



CODICE Code	TIPO Size	PREZZO Price €	CONF. Unit/Box
1655G001604CT	16 x 2,0 - 1/2"	3,01	10/100
1655G002004CT	20 x 2,0 - 1/2"	3,55	10/100
1655G002605CT	26 x 3,0 - 3/4"	8,21	5/25
1655G003206CT	32 x 3,0 - 3/4"	14,18	5/25



**ART. 1656DFCT**  
 Raccordo curvo femmina con  
 flangia 2 fori  
*Wallplate elbow female  
 with 2 holes*  
**H = 40 mm**



CODICE Code	TIPO Size	PREZZO Price €	CONF. Unit/Box
1656G001604DFCT	16 x 2,0 - 1/2"	4,24	10/50
1656G002004DFCT	20 x 2,0 - 1/2"	5,69	10/50



**ART. 1657CT**  
 Raccordo a T  
*Tee*



CODICE Code	TIPO Size	PREZZO Price €	CONF. Unit/Box
1657G161616CT	16 x 2,0 - 16 x 2,0 - 16 x 2,0	5,21	10/50
1657G202020CT	20 x 2,0 - 20 x 2,0 - 20 x 2,0	6,41	5/50
1657G262626CT	26 x 2,0 - 26 x 2,0 - 26 x 2,0	11,65	5/25
1657G323232CT	32 x 2,0 - 32 x 2,0 - 32 x 2,0	18,21	5/25



**ART. 1659CT**  
 Raccordo a T femmina  
*Tee female*



CODICE Code	TIPO Size	PREZZO Price €	CONF. Unit/Box
1659G160416CT	16 x 2,0 - 1/2" - 16 x 2,0	5,74	10/100
1659G200420CT	20 x 2,0 - 1/2" - 20 x 2,0	5,91	10/100



**ART. 1650**  
Raccordo diritto maschio  
*Straight fitting male*

CODICE Code	TIPO Size	PREZZO Price €	CONF. Unit/Box
1650G001404CZ	14 x 1/2"	4,05	10/100
1650G001603CZ	16 x 3/8"	2,72	10/100
1650G001604CZ	16 x 1/2"	2,21	10/100
1650G001605CZ	16 x 3/4"	3,93	10/100
1650G001804CZ	18 x 1/2"	2,85	10/100
1650G001805CZ	18 x 3/4"	4,03	10/100
1650G002004CZ	20 x 1/2"	2,65	10/100
1650G002005CZ	20 x 3/4"	3,35	10/100
1650G002505CZ	25 x 3/4"	5,90	10/50
1650G002506CZ	25 x 1"	7,68	5/25
1650G002604CZ	26 x 1/2"	5,10	10/50
1650G002605CZ	26 x 3/4"	4,97	10/50
1650G002606CZ	26 x 1"	7,68	5/25
1650G003206CZ	32 x 1"	8,59	5/25
1650G003207CZ	32 x 1 1/4"	15,55	5/25
1650G004007CZ	40 x 1 1/4"	13,45	5/25
1650G005008CZ	50 x 1 1/2"	24,46	2/16
1650G006309CZ	63 x 2"	36,25	2/16



**ART. 1651**  
Raccordo diritto doppio  
*Straight fitting double*

CODICE Code	TIPO Size	PREZZO Price €	CONF. Unit/Box
1651G141400CZ	14 x 14	6,30	10/100
1651G161600CZ	16 x 16	3,56	10/100
1651G181800CZ	18 x 18	5,87	10/100
1651G202000CZ	20 x 20	4,56	10/100
1651G252500CZ	25 x 25	7,50	5/50
1651G262600CZ	26 x 26	6,32	5/50
1651G323200CZ	32 x 32	10,96	5/25
1651G404000CZ	40 x 40	15,81	5/25
1651G505000CZ	50 x 50	30,36	2/16
1651G636300CZ	63 x 63	48,46	2/16
Raccordo diritto doppio ridotto - <i>Reduced straight fitting double</i>			
1651G161400CZ	16 x 14	5,82	10/100
1651G181600CZ	18 x 16	4,81	10/100
1651G201600CZ	20 x 16	4,82	10/100
1651G201800CZ	20 x 18	6,79	10/100
1651G252000CZ	25 x 20	8,21	10/100
1651G261600CZ	26 x 16	6,99	10/100
1651G261800CZ	26 x 18	8,42	10/100
1651G262000CZ	26 x 20	8,21	10/100
1651G262500CZ	26 x 25	7,50	5/50
1651G321600CZ	32 x 16	12,29	5/25
1651G322000CZ	32 x 20	11,08	5/25
1651G322600CZ	32 x 26	11,99	5/25
1651G402600CZ	40 x 26	16,36	5/25
1651G403200CZ	40 x 32	16,19	5/25
1651G503200CZ	50 x 32	28,77	2/16
1651G504000CZ	50 x 40	28,22	2/16
1651G634000CZ	63 x 40	46,34	2/16
1651G635000CZ	63 x 50	47,99	2/16



**ART. 1651KB**  
Raccordo diritto doppio tubo multistrato/rame a compressione  
*Straight fitting double multilayer pipe/compression copper pipe*

CODICE Code	TIPO Size	PREZZO Price €	CONF. Unit/Box
1651G1615KBCZ	16 x 2 - Ø 15	5,42	10/100
1651G2022KBCZ	20 x 2 - Ø 22	6,74	10/100
1651G2622KBCZ	26 x 3 - Ø 22	9,10	5/25
1651G2628KBCZ	26 x 3 - Ø 28	9,77	5/25



**ART. 1653KB**  
Raccordo curvo doppio tubo multistrato/rame a compressione  
*Elbow double multilayer pipe/compression copper pipe*

CODICE Code	TIPO Size	PREZZO Price €	CONF. Unit/Box
1653G1615KBCZ	16 x 2 - 15	6,82	10/100
1653G2022KBCZ	20 x 2 - 22	9,81	10/100
1653G2622KBCZ	26 x 3 - 22	12,28	5/25



**ART. 1651CY**  
Raccordo diritto tubo multistrato/tubetto cilindrico  
*Straight fitting multilayer pipe/cylindrical pipe*

CODICE Code	TIPO Size	PREZZO Price €	CONF. Unit/Box
1651G1612CY	16 x Ø 12	2,06	10/100
1651G1615CY	16 x Ø 15	2,09	10/100
1651G2015CY	20 x Ø 15	2,72	10/100
1651G2022CY	20 x Ø 22	3,49	10/100
1651G2622CY	26 x Ø 22	3,82	10/100
1651G2628CY	26 x Ø 28	4,68	10/100

● NEW

N.B.: A richiesta disponibili in versione stagnata  
*Tin-plated version available on request*



**ART. 1652**  
Raccordo diritto femmina  
*Straight fitting female*

CODICE Code	TIPO Size	PREZZO Price €	CONF. Unit/Box
1652G001404CZ	14 x 1/2"	4,11	10/100
1652G001604CZ	16 x 1/2"	2,68	10/100
1652G001605CZ	16 x 3/4"	5,92	10/100
1652G001804CZ	18 x 1/2"	4,64	10/100
1652G001805CZ	18 x 3/4"	6,27	10/100
1652G002004CZ	20 x 1/2"	3,65	10/100
1652G002005CZ	20 x 3/4"	4,62	10/100
1652G002505CZ	25 x 3/4"	6,77	5/25
1652G002506CZ	25 x 1"	8,56	5/25
1652G002605CZ	26 x 3/4"	6,15	5/25
1652G002606CZ	26 x 1"	8,56	5/25
1652G003206CZ	32 x 1"	9,63	5/25
1652G003207CZ	32 x 1 1/4"	16,33	5/25
1652G004007CZ	40 x 1 1/4"	15,01	5/25
1652G005008CZ	50 x 1 1/2"	28,32	2/16



**ART. 1653**  
Raccordo curvo doppio  
*Elbow double*

CODICE Code	TIPO Size	PREZZO Price €	CONF. Unit/Box
1653G141400CZ	14 x 14	6,74	10/100
1653G161600CZ	16 x 16	4,06	10/100
1653G181800CZ	18 x 18	6,58	10/100
1653G202000CZ	20 x 20	5,21	10/100
1653G252500CZ	25 x 25	9,62	5/25
1653G262600CZ	26 x 26	8,76	5/25
1653G323200CZ	32 x 32	12,24	5/25
1653G404000CZ	40 x 40	20,30	5/25
1653G505000CZ	50 x 50	52,11	2/8
1653G636300CZ	63 x 63	62,24	2/8



**ART. 1653CY**  
Raccordo curvo tubo multistrato/tubetto cilindrico L=60 mm  
*Elbow multilayer pipe Cylindrical pipe L=60 mm*

CODICE Code	TIPO Size	PREZZO Price €	CONF. Unit/Box
1653C1612CYCZ	16 x Ø12 L=60 mm	6,41	10/100



**ART. 1654**  
Raccordo curvo maschio  
*Elbow male*

CODICE Code	TIPO Size	PREZZO Price €	CONF. Unit/Box
1654G001404CZ	14 x 1/2"	6,38	10/100
1654G001604CZ	16 x 1/2"	4,17	10/100
1654G001804CZ	18 x 1/2"	6,36	10/100
1654G001805CZ	18 x 3/4"	9,43	10/100
1654G002004CZ	20 x 1/2"	4,50	10/100
1654G002005CZ	20 x 3/4"	6,03	10/50
1654G002505CZ	25 x 3/4"	7,67	5/50
1654G002605CZ	26 x 3/4"	6,88	5/50
1654G003206CZ	32 x 1"	13,82	5/25
1654G004007CZ	40 x 1 1/4"	23,48	5/25
1654G005008CZ	50 x 1 1/2"	44,80	2/8
1654G006309CZ	63 x 2"	52,61	2/8



**ART. 1655**  
Raccordo curvo femmina  
*Elbow female*

CODICE Code	TIPO Size	PREZZO Price €	CONF. Unit/Box
1655G001404CZ	14 x 1/2"	6,58	10/100
1655G001604CZ	16 x 1/2"	3,97	10/100
1655G001804CZ	18 x 1/2"	6,17	10/100
1655G001805CZ	18 x 3/4"	8,89	10/100
1655G002004CZ	20 x 1/2"	4,29	10/100
1655G002005CZ	20 x 3/4"	7,03	10/50
1655G002505CZ	25 x 3/4"	9,11	5/25
1655G002605CZ	26 x 3/4"	9,11	5/25
1655G002606CZ	26 x 1"	15,30	5/25
1655G003206CZ	32 x 1"	15,72	5/25
1655G004007CZ	40 x 1 1/4"	25,32	5/25
1655G005008CZ	50 x 1 1/2"	50,06	2/8



**ART. 1661**  
Curva 45°  
*45° Elbow*

CODICE Code	TIPO Size	PREZZO Price €	CONF. Unit/Box
1661G262600CZ	26 x 26	18,46	5/25
1661G323200CZ	32 x 32	20,70	5/25
1661G404000CZ	40 x 40	57,62	5/25
1661G505000CZ	50 x 50	61,48	1/10
1661G636300CZ	63 x 63	82,21	1/5



**ART. 1662**  
Flangia per cassetta W.C. incasso  
*Wallplate elbow female for built-in WC*

CODICE Code	TIPO Size	PREZZO Price €	CONF. Unit/Box
1662G001604CZ	16 x 1/2"	11,56	10/50
1662G001804CZ	18 x 1/2"	11,74	10/50
1662G002004CZ	20 x 1/2"	12,06	5/25

N.B.: A richiesta disponibili in versione stagnata  
*Tin-plated version available on request*

● NEW



### ART. 1656

Raccordo curvo femmina con flangia a 3 fori  
Wallplate elbow female with 3 holes  
H = 53 mm

CODICE Code	TIPO Size	PREZZO Price €	CONF. Unit/Box
1656G001404CZ	14 x 1/2"	7,11	10/50
1656G001604CZ	16 x 1/2"	5,38	10/50
1656G001804CZ	18 x 1/2"	7,11	10/50
1656G002004CZ	20 x 1/2"	6,58	5/50



### ART. 1656SM

Raccordo curvo femmina con flangia a 3 fori collo basso  
Wallplate elbow female with 3 holes  
H = 40 mm

CODICE Code	TIPO Size	PREZZO Price €	CONF. Unit/Box
1656G001404SMCZ	14 x 1/2"	6,97	10/50
1656G001604SMCZ	16 x 1/2"	5,26	10/50
1656G001804SMCZ	18 x 1/2"	6,93	5/50
1656G002004SMCZ	20 x 1/2"	6,97	5/50



### ART. 1656KB

Raccordo curvo con flangia per tubi multistrato / rame  
Wallplate elbow for multilayer/copper pipes  
H = 53 mm

CODICE Code	TIPO Size	PREZZO Price €	CONF. Unit/Box
1656G1415KBCZ	14 x 15	8,64	10/50
1656G1615KBCZ	16 x 15	8,75	10/50
1656G2015KBCZ	20 x 15	9,02	5/50



### ART. 1676

Raccordo curvo femmina doppio con flangia  
Double wallplate elbow female  
H = 53 mm

CODICE Code	TIPO Size	PREZZO Price €	CONF. Unit/Box
1676G160416CZ	16 x 1/2" x 16	11,41	10/50
1676G180418CZ	18 x 1/2" x 18	12,06	10/50
1676G200420CZ	20 x 1/2" x 20	12,27	5/50



### ART. 1656XL

Raccordo curvo femmina con flangia a 3 fori collo alto  
Wallplate elbow female with 3 holes  
H = 77 mm

CODICE Code	TIPO Size	PREZZO Price €	CONF. Unit/Box
1656G001404XLCZ	14 x 1/2"	9,11	10/50
1656G001604XLCZ	16 x 1/2"	8,13	10/50



### ART. 1676SM

Raccordo curvo femmina doppio con flangia collo basso  
Double wallplate elbow female  
H = 40 mm

CODICE Code	TIPO Size	PREZZO Price €	CONF. Unit/Box
1676G140414SMCZ	14 x 1/2"	11,41	10/50
1676G160416SMCZ	16 x 1/2"	11,41	10/50
1676G180418SMCZ	18 x 1/2"	12,06	5/50
1676G200420SMCZ	20 x 1/2"	12,27	5/50



### ART. 1676KB

Raccordo curvo doppio con flangia per tubi multistrato / rame  
Double wallplate elbow for multilayer/copper pipes  
H = 53 mm

CODICE Code	TIPO Size	PREZZO Price €	CONF. Unit/Box
1676G1615KBCZ	16 x 15 x 16	11,61	10/50
1676G2015KBCZ	20 x 15 x 20	12,58	5/50

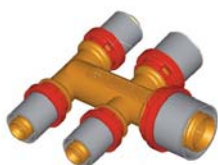


### ART. 1687

Raccordo a croce  
Cross



CODICE Code	TIPO Size	PREZZO Price €	CONF. Unit/Box
1687G20162016CZ	20 x 16 x 20 x 16	15,12	5/25
1687G20201616CZ	20 x 20 x 16 x 16	15,12	5/25
1687G20202020CZ	20 x 20 x 20 x 20	15,62	5/25
1687G25162016CZ	25 x 16 x 20 x 16	15,87	5/20
1687G25201616CZ	25 x 20 x 16 x 16	15,74	5/20
1687G25202020CZ	25 x 20 x 20 x 20	20,88	5/20
1687G26162016CZ	26 x 16 x 20 x 16	15,87	5/20
1687G26201616CZ	26 x 20 x 16 x 16	15,74	5/20
1687G26202020CZ	26 x 20 x 20 x 20	20,88	5/20



### ART. 1688

Collettore a 5 vie  
5 ways manifold



CODICE Code	TIPO Size	PREZZO Price €	CONF. Unit/Box
1688G202016CZ	20 x 20 x 16 x 16 x 16	17,82	5/20
1688G202020CZ	20 x 20 x 20 x 20 x 20	19,52	5/20
1688G252016CZ	25 x 20 x 16 x 16 x 16	18,54	5/20
1688G252020CZ	25 x 20 x 20 x 20 x 20	18,82	5/20
1688G262016CZ	26 x 20 x 16 x 16 x 16	18,54	5/20
1688G262020CZ	26 x 20 x 20 x 20 x 20	18,82	5/20

N.B.: A richiesta disponibili in versione stagnata  
Tin-plated version available on request



**ART. 1656ISOL01**  
Set isolamento acustico  
*Acoustic insulating set*

**DA UTILIZZARE CON ART. 1656**  
**TO BE USED WITH ART. 1656**

CODICE Code	TIPO Size	PREZZO Price €	CONF. Unit/Box
1656ISOL01	1/2"	3,98	10/50



**ART. 1656ISOL02**  
Set isolamento acustico  
*Acoustic insulating set*

**DA UTILIZZARE CON ART. 1656XL**  
**TO BE USED WITH ART. 1656XL**

CODICE Code	TIPO Size	PREZZO Price €	CONF. Unit/Box
1656ISOL02	1/2"	4,03	10/50

### SET DI ISOLAMENTO ACUSTICO PER RACCORDI FLANGIATI *Acoustic insulating set for wallplate fittings*

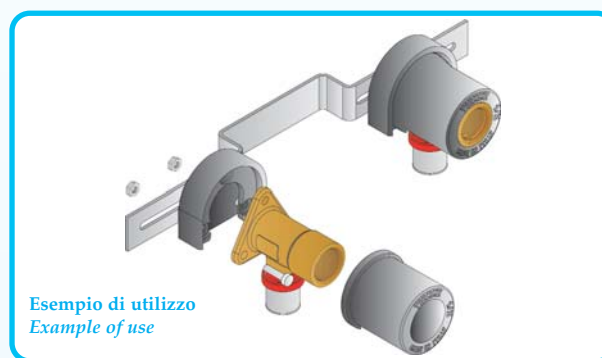
I set di isolamento acustico permettono di ridurre al minimo la rumorosità dell'impianto garantendo il massimo del comfort anche in presenza di pareti sottili o pareti in cartongesso in accordo con la normativa DIN 4109.

*The acoustic insulating set allow to reduce to the noise of the water circulation giving the maximum comfort even if in presence of thin walls or pesterwork as (DIN 4109 requirements)*



**ART. 1657**  
Raccordo a T  
*Tee*

CODICE Code	TIPO Size	PREZZO Price €	CONF. Unit/Box
1657G141414CZ	14 x 14 x 14	8,00	10/50
1657G161616CZ	16 x 16 x 16	5,50	10/50
1657G181818CZ	18 x 18 x 18	9,00	10/50
1657G202020CZ	20 x 20 x 20	6,74	5/50
1657G252525CZ	25 x 25 x 25	13,41	5/25
1657G262626CZ	26 x 26 x 26	12,21	5/25
1657G323232CZ	32 x 32 x 32	19,21	5/25
1657G404040CZ	40 x 40 x 40	27,48	5/20
1657G505050CZ	50 x 50 x 50	49,17	1/10
1657G636363CZ	63 x 63 x 63	84,51	1/5
Raccordo a T ridotto - Tee reduced			
1657G161414CZ	16 x 14 x 14	9,22	10/50
1657G161416CZ	16 x 14 x 16	9,02	10/50
1657G162016CZ	16 x 20 x 16	8,50	5/50
1657G181616CZ	18 x 16 x 16	8,15	10/50
1657G181618CZ	18 x 16 x 18	9,67	10/50
1657G201616CZ	20 x 16 x 16	8,15	5/50
1657G201620CZ	20 x 16 x 20	7,03	5/50
1657G201818CZ	20 x 18 x 18	11,06	5/50
1657G201820CZ	20 x 18 x 20	10,76	5/50
1657G202016CZ	20 x 20 x 16	8,64	5/50
1657G202018CZ	20 x 20 x 18	9,26	5/50
1657G202620CZ	20 x 26 x 20	14,20	5/25
1657G251616CZ	25 x 16 x 16	14,23	5/25
1657G251625CZ	25 x 16 x 25	14,15	5/25
1657G252020CZ	25 x 20 x 20	13,86	5/25
1657G252025CZ	25 x 20 x 25	14,20	5/25
1657G252520CZ	25 x 25 x 20	15,05	5/25
1657G261616CZ	26 x 16 x 16	14,23	5/25
1657G261620CZ	26 x 16 x 20	12,12	5/25
1657G261626CZ	26 x 16 x 26	14,15	5/25
1657G261826CZ	26 x 18 x 26	14,82	5/25
1657G262016CZ	26 x 20 x 16	14,28	5/25



1657G262020CZ	26 x 20 x 20	13,86	5/25
1657G262026CZ	26 x 20 x 26	14,20	5/25
1657G262616CZ	26 x 26 x 16	14,66	5/25
1657G262620CZ	26 x 26 x 20	15,05	5/25
1657G263226CZ	26 x 32 x 26	21,62	5/25
1657G321632CZ	32 x 16 x 32	19,06	5/25
1657G322020CZ	32 x 20 x 20	18,62	5/25
1657G322026CZ	32 x 20 x 26	18,94	5/25
1657G322032CZ	32 x 20 x 32	18,18	5/25
1657G322626CZ	32 x 26 x 26	18,46	5/25
1657G322632CZ	32 x 26 x 32	18,27	5/25
1657G323220CZ	32 x 32 x 20	23,51	5/25
1657G323226CZ	32 x 32 x 26	21,65	5/25
1657G324032CZ	32 x 40 x 32	27,85	5/20
1657G401640CZ	40 x 16 x 40	30,67	5/20
1657G402040CZ	40 x 20 x 40	30,86	5/20
1657G402640CZ	40 x 26 x 40	31,29	5/20
1657G403232CZ	40 x 32 x 32	28,44	5/20
1657G403240CZ	40 x 32 x 40	27,83	5/20
1657G404026CZ	40 x 40 x 26	31,29	5/20
1657G404032CZ	40 x 40 x 32	31,14	5/20
1657G405040CZ	40 x 50 x 40	47,73	1/10
1657G501650CZ	50 x 16 x 50	42,90	1/10
1657G502050CZ	50 x 20 x 50	41,94	1/10
1657G502650CZ	50 x 26 x 50	44,66	1/10
1657G503250CZ	50 x 32 x 50	47,19	1/10
1657G504040CZ	50 x 40 x 40	47,74	1/10
1657G504050CZ	50 x 40 x 50	47,68	1/10
1657G505032CZ	50 x 50 x 32	54,60	1/10
1657G505040CZ	50 x 50 x 40	55,92	1/10
1657G632663CZ	63 x 26 x 63	86,90	1/5
1657G633263CZ	63 x 32 x 63	86,10	1/5
1657G634063CZ	63 x 40 x 63	86,77	1/5
1657G635063CZ	63 x 50 x 63	87,08	1/5

● **NEW**

**N.B.:** A richiesta disponibili in versione stagnata  
*Tin-plated version available on request*



**ART. 1658**  
T maschio  
Tee male

CODICE Code	TIPO Size	PREZZO Price €	CONF. Unit/Box
1658G140414CZ	14 x 1/2" x 14	8,91	10/100
1658G160416CZ	16 x 1/2" x 16	8,06	10/100
1658G180418CZ	18 x 1/2" x 18	9,34	10/100
1658G180518CZ	18 x 3/4" x 18	10,81	10/100
1658G200420CZ	20 x 1/2" x 20	9,17	5/100
1658G200520CZ	20 x 3/4" x 20	9,92	5/50
1658G260426CZ	26 x 1/2" x 26	16,28	5/25
1658G260526CZ	26 x 3/4" x 26	15,91	5/25
1658G260626CZ	26 x 1" x 26	18,72	5/25
1658G320532CZ	32 x 3/4" x 32	25,76	5/25
1658G320632CZ	32 x 1" x 32	19,08	5/25
1658G400740CZ	40 x 1"1/4 x 40	28,11	5/20



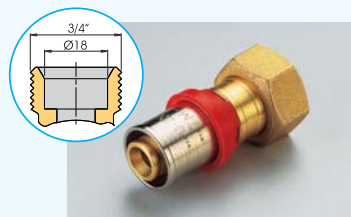
**ART. 1659**  
T femmina  
Tee female

CODICE Code	TIPO Size	PREZZO Price €	CONF. Unit/Box
1659G140414CZ	14 x 1/2" x 14	10,96	10/100
1659G160416CZ	16 x 1/2" x 16	7,82	10/100
1659G180418CZ	18 x 1/2" x 18	8,81	10/100
1659G180518CZ	18 x 3/4" x 18	10,96	10/50
1659G200420CZ	20 x 1/2" x 20	8,10	5/50
1659G200520CZ	20 x 3/4" x 20	10,83	5/50
1659G250525CZ	25 x 3/4" x 25	15,60	5/25
1659G260426CZ	26 x 1/2" x 26	17,12	5/25
1659G260526CZ	26 x 3/4" x 26	15,60	5/25
1659G320432CZ	32 x 1/2" x 32	24,73	5/25
1659G320532CZ	32 x 3/4" x 32	22,42	5/25
1659G320632CZ	32 x 1" x 32	22,46	5/25
1659G400640CZ	40 x 1" x 40	27,08	5/20
1659G400740CZ	40 x 1"1/4" x 40	29,97	5/20
1659G500550CZ	50 x 3/4" x 50	44,57	1/10
1659G500650CZ	50 x 1" x 50	45,77	1/10
1659G630663CZ	63 x 1" x 63	77,07	1/5



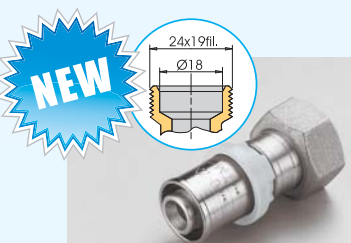
**ART. 1665**  
Raccordo diretto con girello e guarnizione piana  
Straight fitting with loose nut and flat washer

CODICE Code	TIPO Size	PREZZO Price €	CONF. Unit/Box
1665G001404CZ	14 x 1/2"	3,50	10/100
1665G001603CZ	16 x 3/8"	2,98	10/100
1665G001604CZ	16 x 1/2"	2,88	10/100
1665G001605CZ	16 x 3/4"	4,34	10/100
1665G001606CZ	16 x 1"	12,21	10/100
1665G001804CZ	18 x 1/2"	3,50	10/100
1665G001805CZ	18 x 3/4"	5,34	10/100
1665G002004CZ	20 x 1/2"	3,57	10/100
1665G002005CZ	20 x 3/4"	4,76	10/100
1665G002506CZ	25 x 1"	14,44	2/50
1665G002605CZ	26 x 3/4"	13,40	2/100
1665G002606CZ	26 x 1"	14,44	2/50
1665G002607CZ	26 x 1"1/4	17,36	2/90
1665G003206CZ	32 x 1"	17,39	2/100
1665G003207CZ	32 x 1"1/4	17,48	2/80
1665G003208CZ	32 x 1"1/2	22,40	1/50
1665G004008CZ	40 x 1"1/2	22,49	1/25
1665G005009CZ	50 x 2"	35,07	1/30
1665G006310CZ	63 x 2"1/2	52,94	1/20



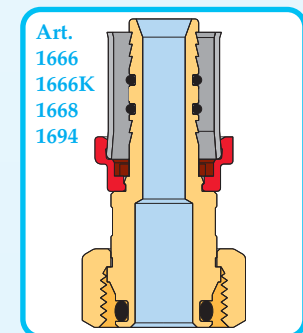
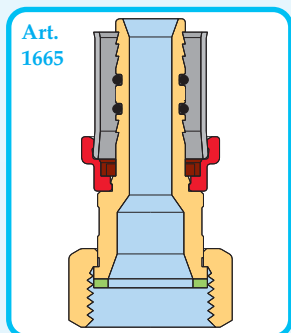
**ART. 1666**  
Raccordo diretto con girello su attacchi 3/4" x 18 (EUROCONO)  
Straight fitting with loose nut for 3/4" x 18 connections (EUROCONUS)

CODICE Code	TIPO Size	PREZZO Price €	CONF. Unit/Box
1666G001405CZ	14 x 3/4"	9,76	10/100
1666G001605CZ	16 x 3/4"	8,82	10/100
1666G001805CZ	18 x 3/4"	9,76	10/100
1666G002005CZ	20 x 3/4"	9,21	10/100



**ART. 1666K**  
Raccordo diretto cromato con girello su attacchi 24x19 (Ø18)  
Chrome-plated straight fitting with loose nut for 24x19(Ø18) connections

CODICE Code	TIPO Size	PREZZO Price €	CONF. Unit/Box
1666K001619	16 x 24 (19 fil)	6,90	10/100
1666K001819	18 x 24 (19 fil)	6,90	10/100
1666K002019	16 x 24 (19 fil)	7,02	10/100



**ART. 1859**  
Adattatore per trasformare un attacco 3/4" x 18 (EUROCONO) in battuta piana  
Adapter to have a plain on a 3/4" x 18 (EUROCONUS) connection

CODICE Code	TIPO Size	PREZZO Price €	CONF. Unit/Box
1859G0005	3/4 x 18 (EUR)	vedi cap. 12	10/100

N.B.: A richiesta disponibili in versione stagnata  
Tin-plated version available on request

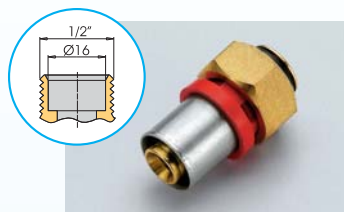
● NEW



### ART. 1667

Raccordo diritto maschio con girello  
Straight fitting male with loose nut connector

CODICE Code	TIPO Size	PREZZO Price €	CONF. Unit/Box
1667G142004CZ	14 x 1/2"	7,70	10/100
1667G142005CZ	14 x 3/4"	8,39	10/100
1667G162004CZ	16 x 1/2"	7,70	10/100
1667G162005CZ	16 x 3/4"	8,39	10/100
1667G182004CZ	18 x 1/2"	7,70	10/100
1667G182005CZ	18 x 3/4"	8,39	10/100
1667G202004CZ	20 x 1/2"	7,70	5/100
1667G202005CZ	20 x 3/4"	8,39	5/100
1667G263005CZ	26 x 3/4"	10,24	5/25
1667G263006CZ	26 x 1"	13,58	5/25
1667G323006CZ	32 x 1"	17,79	1/40



### ART. 1668

Raccordo diritto con girello su attacchi 1/2"x16 e M22 x 16  
Straight fitting with loose nut for 1/2" x 16 or M22x16 connections

CODICE Code	TIPO Size	PREZZO Price €	CONF. Unit/Box
1668G1404CZ	14 x 1/2"	3,50	10/100
1668G1604CZ	16 x 1/2"	3,15	10/100
1668G1804CZ	18 x 1/2"	3,77	10/100
1668G2004CZ	20 x 1/2"	3,84	10/100
1668N1422CZ *	14 x M22	3,72	5/200
1668N1622CZ *	16 x M22	3,88	5/200

Per attacchi M22 x 16 / For M22 x 16 connections

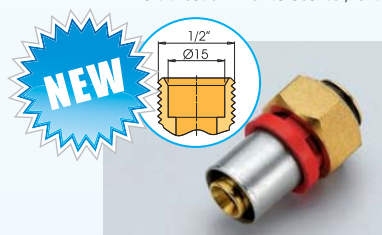
\* Fino ad esaurimento scorte / Until out of stock



### ART. 1669

Raccordo curvo maschio con girello  
Elbow fitting male with loose nut connector

CODICE Code	TIPO Size	PREZZO Price €	CONF. Unit/Box
1669G263006CZ	26 x 1"	15,61	5/25



### ART. 1694

Raccordo diritto con girello su attacchi 1/2"x15  
Straight fitting with loose nut for 1/2" x 15

CODICE Code	TIPO Size	PREZZO Price €	CONF. Unit/Box
1694G142015CZ	14 x 1/2"	3,84	10/100
1694G162015CZ	16 x 1/2"	3,99	10/100
1694G182015CZ	18 x 1/2"	4,30	10/100
1694G202015CZ	20 x 1/2"	4,39	10/100



### ART. 1660BP

Raccordo curvo con girello e guarnizione piana.  
Elbow fitting with loose nut and flat seat

CODICE Code	TIPO Size	PREZZO Price €	CONF. Unit/Box
1660G001605BPCZ	16 x 3/4"	9,86	5/100
1660G002005BPCZ	20 x 3/4"	9,92	5/100
1660G002605BPCZ	26 x 3/4"	11,97	5/50



### ART. 1677

Terminale  
Stop end

CODICE Code	TIPO Size	PREZZO Price €	CONF. Unit/Box
1677G0014CZ	14	5,44	10/100
1677G0016CZ	16	5,42	10/100
1677G0018CZ	18	5,93	10/100
1677G0020CZ	20	6,47	10/100
1677G0026CZ	26	7,11	5/50
1677G0032CZ	32	8,20	5/50
1677G0040CZ	40	14,44	5/25



### ART. 1678

Staffa e raccordi terminali  
Bracket and end fittings

CODICE Code	TIPO Size	PREZZO Price €	CONF. Unit/Box
1678G001603CZ	16x3/8" Int. 120 mm H = 37	16,33	1/25
1678G001604CZ	16x1/2" Int. 150 mm H = 37	16,33	1/25
1678G001804CZ	18x1/2" Int. 150 mm H = 37	16,33	1/25
1678G002004CZ	20x1/2" Int. 150 mm H = 37	16,33	1/25



### ART. 1679KB

Staffa con raccordi terminali per tubo multistrato Ø 16 x 2,0 / tubo rame Ø 15  
Bracket and end fittings for multilayer pipe Ø16 x 2,0/copper pipe Ø 15

CODICE Code	TIPO Size	PREZZO Price €	CONF. Unit/Box
1679G163553KBCZ	Int. 35 H=53	22,67	1/25
1679G163565KBCZ	Int. 35 H=65	23,49	1/25
1679G165053KBCZ	Int. 50 H=53	22,67	1/25
1679G165065KBCZ	Int. 50 H=65	23,49	1/25





**ART. 1663**  
Staffa e raccordi per collegamenti in serie  
*Bracket and fittings for multiple connections*

CODICE Code	TIPO Size	PREZZO Price €	CONF. Unit/Box
1663G180418CZ	18 x 1/2"	26,49	1/16

Interasse variabile / variable distance between centres:  
72 - 115 - 155 mm

Fino ad esaurimento scorte / until out of stock



**ART. 1663DI**  
Staffa e raccordi disassati per collegamenti in serie  
*Bracket and disaligned fittings for multiple connections*

CODICE Code	TIPO Size	PREZZO Price €	CONF. Unit/Box
1663G160416DI	16 x 1/2"	29,83	1/10
1663G180418DI	18 x 1/2"	32,64	1/10
1663G200420DI	20 x 1/2"	32,64	1/10

Interasse variabile / variable distance between centres:  
72 - 115 - 155 mm



**ART. 1664**  
Staffa e raccordi terminali  
*Bracket and end fittings*

CODICE Code	TIPO Size	PREZZO Price €	CONF. Unit/Box
1664G001604CZ	16 x 1/2"	15,88	1/20
1664G001804CZ	18 x 1/2"	19,11	1/20
1664G002004CZ	20 x 1/2"	19,38	1/20

Interasse variabile / variable distance between centres:  
72 - 115 - 155 mm

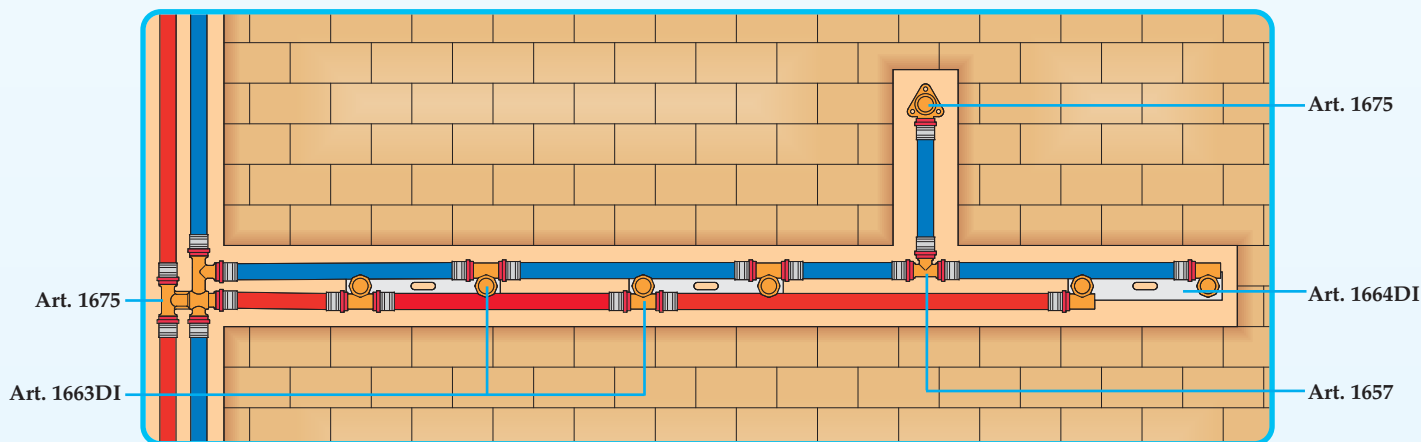


**ART. 1664DI**  
Staffa e raccordi disassati per collegamenti terminali  
*Bracket and disaligned end fittings*

CODICE Code	TIPO Size	PREZZO Price €	CONF. Unit/Box
1664G001604DI	16 x 1/2"	31,62	1/10
1664G001804DI	18 x 1/2"	34,60	1/10
1664G002004DI	20 x 1/2"	34,60	1/10

Interasse variabile / variable distance between centres:  
72 - 115 - 155 mm

### ESEMPIO DI INSTALLAZIONE/INSTALLATION EXAMPLE



**ART. 1675ISOL**  
Isolante per Art. 1675  
*Insulating for Art. 1675*

CODICE Code	TIPO Size	PREZZO Price €	CONF. Unit/Box
1675ISOL	unica - single	1,08	1/20



**ART. 1675**  
T "By-pass"  
*Tee By-pass*

CODICE Code	TIPO Size	PREZZO Price €	CONF. Unit/Box
1675N161616	16 x 16 x 16	47,82	5/15
1675N201616	20 x 16 x 16	47,82	5/15
1675N201620	20 x 16 x 20	47,82	5/15
1675N202020	20 x 20 x 20	47,82	5/15

N.B.: A richiesta disponibili in versione stagnata  
*Tin-plated version available on request*



**ART. 1670X**  
Bussola Cobrapress Inox  
Stainless steel Cobrapress sleeve

CODICE Code	TIPO Size	PREZZO Price €	CONF. Unit/Box
1670X14	14	0,80	10/400
1670X16	16	0,82	10/350
1670X18	18	1,19	10/300
1670X20	20	0,93	10/300
1670X25	25	1,35	10/200
1670X26	26	1,35	10/200
1670X32	32	1,83	10/150
1670X40	40	2,90	10/100
1670X50	50	6,15	1/50
1670X63	63	8,76	1/30

Disponibile anche con ghiera bianca (art. 1670B)  
Also available with white plastic ring (art. 1670B)



**ART. 1671**  
Prolunga ripara tubi  
Extension repairing pipes

CODICE Code	TIPO Size	PREZZO Price €	CONF. Unit/Box
1671G141400CZ	14	7,41	5/100
1671G161600CZ	16	7,85	5/100
1671G181800CZ	18	8,44	5/100
1671G202000CZ	20	8,88	5/100

Per istruzioni di utilizzo vedi pag. 167  
For correct use see page 167



**ART. 1672**  
Curva terminale per radiatori  
End elbow for radiator

CODICE Code	TIPO Size	PREZZO Price €	CONF. Unit/Box
Tubo rame Ø 15 - Copper pipe Ø 5 L = 200			
1672C021615CZ	16	10,18	5/50
1672C022015CZ	20	12,24	5/50
Tubo rame Ø 15 - Copper pipe Ø 15 L = 300			
1672C031415CZ	14	10,58	5/50
1672C031615CZ	16	10,40	5/50
1672C031815CZ	18	10,58	5/50
1672C032015CZ	20	12,29	5/50
Tubo rame Ø 15 - Copper pipe Ø 15 L = 1100			
1672C111415CZ	14	30,21	5/50
1672C111615CZ	16	30,21	5/50
1672C111815CZ	18	30,21	5/50
1672C112015CZ	20	30,21	5/50
Tubo rame Ø 14 - Copper pipe Ø 14 L = 300			
1672C031614CZ	16	12,00	5/50
1672C031814CZ	18	10,58	5/50



**ART. 1673**  
T per radiatori  
T for radiator

CODICE Code	TIPO Size	PREZZO Price €	CONF. Unit/Box
Tubo rame Ø 15 - Copper pipe Ø 15 L = 300			
1673C031415CZ	14	16,03	5/40
1673C031615CZ	16	16,03	5/40
1673C031815CZ	18	17,62	5/40
1673C032015CZ	20	19,24	5/40
Tubo rame Ø 15 - Copper pipe Ø 15 L = 1100			
1673C111415CZ	14	30,44	5/40
1673C111615CZ	16	30,44	5/40
1673C111815CZ	18	30,44	5/40
1673C112015CZ	20	30,44	5/40



**ART. 1674**  
Riduzione per tubo multistrato/  
tubo rame a saldare  
Reduction for multilayer pipe/  
soldering copper pipe

CODICE Code	TIPO Size	PREZZO Price €	CONF. Unit/Box
1674G161500CZ	16 x 2" - Ø 15	2,96	10/100



**ART. 1697**  
Valvola a sfera dritta  
con leva farfalla rossa  
e girello folle  
Straight ball valve with red "T"  
handle and loose nut

CODICE Code	TIPO Size	PREZZO Price €	CONF. Unit/Box
1697R202005	20 x 3/4"	12,56	20/80
1697R252505	25 x 3/4"	14,63	20/80
1697R263005	26 x 3/4"	14,63	20/80
1697R323006	32 x 1"	25,52	10/40



**ART. 1697CK**  
Valvola a sfera dritta  
con leva farfalla rossa,  
girello folle e valvola  
di non ritorno.  
Straight ball valve with red "T"  
handle, loose nut and check valve

CODICE Code	TIPO Size	PREZZO Price €	CONF. Unit/Box
1697R202005CK	20 x 3/4"	14,26	20/80
1697R252505CK	25 x 3/4"	16,33	20/80
1697R263005CK	26 x 3/4"	16,33	20/80
1697R323006CK	32 x 1"	28,91	10/40



**ART. 1690**  
Valvola a sfera da incasso  
*Built in ball valve*

CODICE Code	TIPO Size	PREZZO Price €	CONF. Unit/Box
1690C1616	16 x 16	20,98	5/50
1690C1818	18 x 18	20,98	5/50
1690C2020	20 x 20	20,98	5/50
1690C2525	25 x 25	23,64	5/50
1690C2626	26 x 26	23,64	5/50



**ART. 1690U**  
Valvola a sfera da incasso con geometria a "U"  
*Built in ball valve "U" shape*



CODICE Code	TIPO Size	PREZZO Price €	CONF. Unit/Box
1690C1616U	16 x 16	37,05	1/25
1690C2020U	20 x 20	39,60	1/25
1690C2525U	25 x 25	51,75	1/25
1690C2626U	26 x 26	52,16	1/25



**ART. 1696**  
Valvola con vitone da incasso 2 vie  
*Built in 2 ways valve with screw*



CODICE Code	TIPO Size	PREZZO Price €	CONF. Unit/Box
1696G1616	16 x 16	26,35	5/50
1696G2020	20 x 20	26,35	5/50
1696G2525	25 x 25	29,32	5/50
1696G2626	26 x 26	29,32	5/50



**ART. 1691**  
Valvola a sfera con leva farfalla  
*Ball valve with T handle*

CODICE Code	TIPO Size	PREZZO Price €	CONF. Unit/Box
1691R1616	16 x 16	18,89	5/50
1691R2020	20 x 20	18,89	5/50
1691R2626	26 x 26	21,28	5/50



**ART. 1692**  
Valvola a sfera a squadra con leva farfalla rossa e girello folle  
*Angle ball valve with red "T" handle and loose nut*



CODICE Code	TIPO Size	PREZZO Price €	CONF. Unit/Box
1692R2005	20 x 3/4"	14,55	15/60
1692R2605	26 x 3/4"	18,04	15/60
1692R3206	32 x 1"	30,10	10/40



**ART. 1692CK**  
Valvola a sfera a squadra con leva farfalla rossa, girello folle e valvola di non ritorno.  
*Angle ball valve with red "T" handle, loose nut and check valve*



CODICE Code	TIPO Size	PREZZO Price €	CONF. Unit/Box
1692R2005CK	20 x 3/4"	16,24	15/60
1692R2605CK	26 x 3/4"	19,73	15/60
1692R3206CK	32 x 1"	33,50	10/40



**ART. 2960SET**  
Set cappuccio e rosone per valvole ad incasso per art. 2960, 1690C, 1690CU e 1696  
*Cap and rosette for built-in valve for art. 2960, 1690C, 1690CU and 1696*

CODICE Code	TIPO Size	PREZZO Price €	CONF. Unit/Box
2960CSET		vedi cap. 1	12/48



**ART. 2960PR**  
Set prolunga per valvola ad incasso per art. 2960, 1690C, 1690CU e 1696  
*Spindle extension for built-in valve for art. 2960, 1690C, 1690CU and 1696*

CODICE Code	TIPO Size	PREZZO Price €	CONF. Unit/Box
2960PR	1/2"	vedi cap. 1	10/200



**ART. 2963SET**  
Set maniglia e rosone per valvole ad incasso per art. 2960, 1690C, 1690CU e 1696  
*Handle and rosette for built-in valve - for art. 2960 and 1690C, 1690CU and 1696*

CODICE Code	TIPO Size	PREZZO Price €	CONF. Unit/Box
2963CSET		vedi cap. 1	10/40



**ART. 2961SET**  
Set leva e rosone per valvole ad incasso per art. 2960, 1690C, 1690CU e 1696  
*Handle and rosette for built-in valve - for art. 2960 and 1690C, 1690CU and 1696*

CODICE Code	TIPO Size	PREZZO Price €	CONF. Unit/Box
2961CSET		vedi cap. 1	12/48



**ART. 1693**  
Valvola da incasso a 3 vie  
*Built in 3 ways valve*

CODICE Code	TIPO Size	PREZZO Price €	CONF. Unit/Box
1693G201605CZ	20 x 16	35,57	1/20
1693G202005CZ	20 x 20	35,78	1/20
1693G262005CZ	26 x 20	36,47	1/20



**ART. 1660**  
Raccordo curvo con girello su  
attacchi 3/4"x18 (EUROCONO)  
*Elbow with loose nut for 3/4"x18  
connection (EUROCONUS)*

CODICE Code	TIPO Size	PREZZO Price €	CONF. Unit/Box
1660G001605CZ	16 x 3/4"	10,06	5/100
1660G002005CZ	20 x 3/4"	10,16	5/100



**ART. 1879**  
Terminale con attacco 3/4"x18  
(EUROCONO)  
*End fitting with 3/4"x18 connection  
(EUROCONUS)*

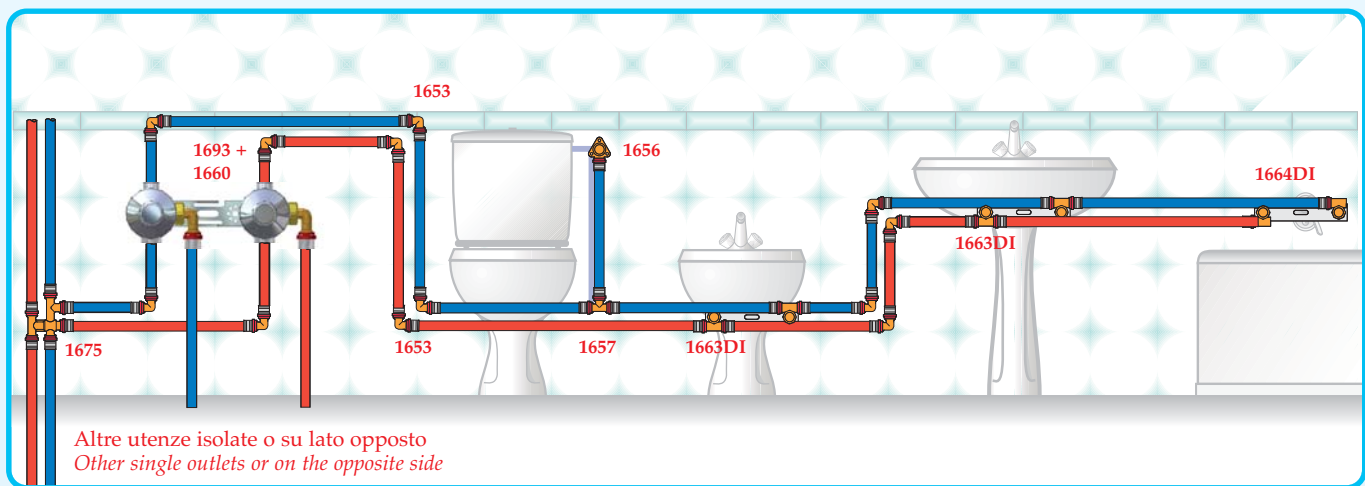
CODICE Code	TIPO Size	PREZZO Price €	CONF. Unit/Box
1879G0005	3/4" x 18	vedi cap. 12	10/250



**ART. 1493SET**  
Staffa di fissaggio completa di  
viti  
*Fixing bracket with bolts*

CODICE Code	TIPO Size	PREZZO Price €	CONF. Unit/Box
1493SET01	unica - single	1,89	1/50

da utilizzare con art. 1693 / to be used with art. 1693





**ART. 1650DR**  
Raccordo diritto maschio  
*Straight fitting male*

CODICE Code	TIPO Size	PREZZO Price €	CONFE. Unit/Box
1650G001404DR	14 x 1/2"	5,07	10/100
1650G001603DR	16 x 3/8"	3,41	10/100
1650G001604DR	16 x 1/2"	2,76	10/100
1650G001605DR	16 x 3/4"	4,90	10/100
1650G001804DR	18 x 1/2"	3,56	10/100
1650G001805DR	18 x 3/4"	5,03	10/100
1650G002004DR	20 x 1/2"	3,32	10/100
1650G002005DR	20 x 3/4"	4,18	10/100
1650G002604DR	26 x 1/2"	6,63	10/50
1650G002605DR	26 x 3/4"	6,44	10/50
1650G002606DR	26 x 1"	9,99	5/25
1650G003206DR	32 x 1"	11,17	5/25
1650G003207DR	32 x 1"1/4	20,22	5/25
1650G004007DR	40 x 1"1/4	18,16	5/25
1650G005008DR	50 x 1"1/2	33,02	2/16
1650G006309DR	63 x 2"	48,94	2/16



**ART. 1651DR**  
Raccordo diritto doppio  
*Straight fitting double*

CODICE Code	TIPO Size	PREZZO Price €	CONFE. Unit/Box
1651G141400DR	14 x 14	7,88	10/100
1651G161600DR	16 x 16	4,44	10/100
1651G181800DR	18 x 18	7,34	10/100
1651G202000DR	20 x 20	5,71	10/100
1651G262600DR	26 x 26	8,24	5/50
1651G323200DR	32 x 32	14,25	5/25
1651G404000DR	40 x 40	21,34	5/25
1651G505000DR	50 x 50	40,98	2/16
1651G636300DR	63 x 63	65,41	2/16
Raccordo diritto doppio ridotto - <i>Reduced straight fitting double</i>			
1651G161400DR	16 x 14	7,28	10/100
1651G181600DR	18 x 16	6,01	10/100
1651G201600DR	20 x 16	6,03	10/100
1651G201800DR	20 x 18	8,49	10/100
1651G261600DR	26 x 16	9,09	10/100
1651G261800DR	26 x 18	10,95	10/100
1651G262000DR	26 x 20	10,68	10/100
1651G321600DR	32 x 16	15,98	5/25
1651G322000DR	32 x 20	14,41	5/25
1651G322600DR	32 x 26	15,58	5/25
1651G402600DR	40 x 26	22,09	5/25
1651G403200DR	40 x 32	21,86	5/25
1651G503200DR	50 x 32	38,83	2/16
1651G504000DR	50 x 40	38,10	2/16
1651G634000DR	63 x 40	62,56	2/16
1651G635000DR	63 x 50	64,79	2/16



**ART. 1651KBDR**  
Raccordo diritto doppio tubo multistrato / rame a compressione  
*Straight fitting double multilayer pipe/compression copper pipe*

CODICE Code	TIPO Size	PREZZO Price €	CONFE. Unit/Box
1651G1615KBDR	16 x 2 - Ø 15	6,78	10/100
1651G2022KBDR	20 x 2 - Ø 22	8,43	10/100
1651G2622KBDR	26 x 3 - Ø 22	11,83	5/25
1651G2628KBDR	26 x 3 - Ø 28	12,70	5/25



**ART. 1651CYDR**  
Raccordo diritto tubo multistrato / tubetto cilindrico  
*Straight fitting multilayer pipe/cylindrical pipe*

CODICE Code	TIPO Size	PREZZO Price €	CONFE. Unit/Box
1651G1612CYDR	16 x Ø 12	2,58	10/100
1651G1615CYDR	16 x Ø 15	2,61	10/100
1651G2015CYDR	20 x Ø 15	3,40	10/100
1651G2022CYDR	20 x Ø 22	4,37	10/100
1651G2622CYDR	26 x Ø 22	4,97	10/100
1651G2628CYDR	26 x Ø 28	6,09	10/100



**ART. 1652DR**  
Raccordo diritto femmina  
*Straight fitting female*

CODICE Code	TIPO Size	PREZZO Price €	CONFE. Unit/Box
1652G001404DR	14 x 1/2"	5,13	10/100
1652G001604DR	16 x 1/2"	3,32	10/100
1652G001605DR	16 x 3/4"	7,40	10/100
1652G001804DR	18 x 1/2"	5,80	10/100
1652G001805DR	18 x 3/4"	7,84	10/100
1652G002004DR	20 x 1/2"	4,56	10/100
1652G002005DR	20 x 3/4"	5,76	10/100
1652G002605DR	26 x 3/4"	8,00	5/25
1652G002606DR	26 x 1"	11,13	5/25
1652G003206DR	32 x 1"	12,52	5/25
1652G003207DR	32 x 1"1/4	21,22	5/25
1652G004007DR	40 x 1"1/4	20,26	5/25
1652G005008DR	50 x 1"1/2	38,23	2/16



**ART. 1653DR**  
Raccordo curvo doppio  
Elbow double

CODICE Code	TIPO Size	PREZZO Price €	CONF. Unit/Box
1653G141400DR	14 x 14	8,43	10/100
1653G161600DR	16 x 16	5,09	10/100
1653G181800DR	18 x 18	8,22	10/100
1653G202000DR	20 x 20	6,50	10/100
1653G262600DR	26 x 26	11,38	5/25
1653G323200DR	32 x 32	15,91	5/25
1653G404000DR	40 x 40	27,40	5/25
1653G505000DR	50 x 50	70,35	2/8
1653G636300DR	63 x 63	84,02	2/8



**ART. 1654DR**  
Raccordo curvo maschio  
Elbow male

CODICE Code	TIPO Size	PREZZO Price €	CONF. Unit/Box
1654G001404DR	14 x 1/2"	7,98	10/100
1654G001604DR	16 x 1/2"	6,77	10/100
1654G001804DR	18 x 1/2"	7,95	10/100
1654G001805DR	18 x 3/4"	11,78	10/100
1654G002004DR	20 x 1/2"	7,42	10/100
1654G002005DR	20 x 3/4"	8,37	10/50
1654G002605DR	26 x 3/4"	9,97	5/50
1654G003206DR	32 x 1"	17,96	5/25
1654G004007DR	40 x 1"1/4"	31,70	5/25
1654G005008DR	50 x 1"1/2"	60,48	2/8
1654G006309DR	63 x 2"	71,03	2/8



**ART. 1655DR**  
Raccordo curvo femmina  
Elbow female

CODICE Code	TIPO Size	PREZZO Price €	CONF. Unit/Box
1655G001404DR	14 x 1/2"	8,22	10/100
1655G001604DR	16 x 1/2"	4,97	10/100
1655G001804DR	18 x 1/2"	7,71	10/100
1655G001805DR	18 x 3/4"	11,12	10/100
1655G002004DR	20 x 1/2"	6,63	10/100
1655G002005DR	20 x 3/4"	8,78	10/50
1655G002605DR	26 x 3/4"	11,84	5/25
1655G002606DR	26 x 1"	19,89	5/25
1655G003206DR	32 x 1"	20,44	5/25
1655G004007DR	40 x 1"1/4"	34,19	5/25
1655G005008DR	50 x 1"1/2"	67,58	2/8



**ART. 1656DR**  
Raccordo curvo femmina con  
flangia a 3 fori  
Wallplate elbow female 3 holes  
H = 53 mm

CODICE Code	TIPO Size	PREZZO Price €	CONF. Unit/Box
1656G001404DR	14 x 1/2"	8,89	10/50
1656G001604DR	16 x 1/2"	6,71	10/50
1656G001804DR	18 x 1/2"	8,89	10/50
1656G002004DR	20 x 1/2"	8,22	5/50



**ART. 1656SMDR**  
Raccordo curvo femmina con  
flangia a 3 fori collo basso  
Wallplate elbow female 3 holes  
H = 40 mm

CODICE Code	TIPO Size	PREZZO Price €	CONF. Unit/Box
1656G001404SMDR	14 x 1/2"	8,72	10/50
1656G001604SMDR	16 x 1/2"	6,94	10/50
1656G002004SMDR	20 x 1/2"	8,72	5/50



**ART. 1661DR**  
Curva 45°  
45° Elbow

CODICE Code	TIPO Size	PREZZO Price €	CONF. Unit/Box
1661G262600DR	26 x 26	24,00	5/25
1661G323200DR	32 x 32	26,90	5/25
1661G404000DR	40 x 40	77,79	5/25
1661G505000DR	50 x 50	83,00	1/10
1661G636300DR	63 x 63	110,99	1/5



**ART. 1676SMDR**  
Raccordo curvo femmina doppio  
con flangia collo basso  
Double wallplate elbow female  
H = 40 mm

CODICE Code	TIPO Size	PREZZO Price €	CONF. Unit/Box
1676G140414SMDR	14 x 1/2"	15,97	10/50
1676G160416SMDR	16 x 1/2"	14,26	10/50
1676G200420SMDR	20 x 1/2"	15,34	5/50



**ART. 1657DR**  
Raccordo a T  
Tee

CODICE Code	TIPO Size	PREZZO Price €	CONF. Unit/Box
1657G141414DR	14 x 14 x 14	10,00	10/50
1657G161616DR	16 x 16 x 16	6,85	10/50
1657G181818DR	18 x 18 x 18	11,25	10/50
1657G202020DR	20 x 20 x 20	8,41	5/50
1657G262626DR	26 x 26 x 26	15,88	5/25
1657G323232DR	32 x 32 x 32	24,97	5/25
1657G404040DR	40 x 40 x 40	37,11	5/20
1657G505050DR	50 x 50 x 50	66,37	1/10
1657G636363DR	63 x 63 x 63	114,09	1/5
1657G161414DR	16 x 14 x 14	11,53	10/50
1657G161416DR	16 x 14 x 16	11,28	10/50
1657G162016DR	16 x 20 x 16	10,62	5/50
1657G181618DR	18 x 16 x 18	12,09	10/50
1657G201616DR	20 x 16 x 16	10,19	5/50
1657G201620DR	20 x 16 x 20	8,79	5/50
1657G201818DR	20 x 18 x 18	13,83	5/50
1657G201820DR	20 x 18 x 20	13,45	5/50
1657G202016DR	20 x 20 x 16	10,81	5/50
1657G202018DR	20 x 20 x 18	11,58	5/50
1657G202620DR	20 x 26 x 20	18,46	5/25
1657G261616DR	26 x 16 x 16	18,50	5/25
1657G261620DR	26 x 16 x 20	15,76	5/25
1657G261626DR	26 x 16 x 26	18,40	5/25
1657G261826DR	26 x 18 x 26	19,27	5/25
1657G262016DR	26 x 20 x 16	18,56	5/25
1657G262020DR	26 x 20 x 20	18,02	5/25
1657G262026DR	26 x 20 x 26	18,46	5/25
1657G262616DR	26 x 26 x 16	19,05	5/25
1657G262620DR	26 x 26 x 20	19,57	5/25
1657G263226DR	26 x 32 x 26	28,10	5/25
1657G321632DR	32 x 16 x 32	24,78	5/25
1657G322020DR	32 x 20 x 20	24,21	5/25
1657G322026DR	32 x 20 x 26	24,62	5/25

1657G322032DR	32 x 20 x 32	23,64	5/25
1657G322626DR	32 x 26 x 26	24,00	5/25
1657G322632DR	32 x 26 x 32	23,74	5/25
1657G323220DR	32 x 32 x 20	30,57	5/25
1657G323226DR	32 x 32 x 26	28,14	5/25
1657G324032DR	32 x 40 x 32	37,61	5/20
1657G401640DR	40 x 16 x 40	41,40	5/20
1657G402040DR	40 x 20 x 40	41,67	5/20
1657G402640DR	40 x 26 x 40	42,24	5/20
1657G403232DR	40 x 32 x 32	38,40	5/20
1657G403240DR	40 x 32 x 40	37,57	5/20
1657G404026DR	40 x 40 x 26	42,24	5/20
1657G404032DR	40 x 40 x 32	42,04	5/20
1657G405040DR	40 x 50 x 40	64,43	1/10
1657G501650DR	50 x 16 x 50	57,91	1/10
1657G502050DR	50 x 20 x 50	56,61	1/10
1657G502650DR	50 x 26 x 50	60,30	1/10
1657G503250DR	50 x 32 x 50	63,71	1/10
1657G504040DR	50 x 40 x 40	64,44	1/10
1657G504050DR	50 x 40 x 50	64,37	1/10
1657G505032DR	50 x 50 x 32	73,71	1/10
1657G505040DR	50 x 50 x 40	75,49	1/10
1657G632663DR	63 x 26 x 63	117,33	1/5
1657G633263DR	63 x 32 x 63	116,24	1/5
1657G634063DR	63 x 40 x 63	117,15	1/5
1657G635063DR	63 x 50 x 63	117,56	1/5



**ART. 1658DR**  
T maschio  
Tee male

CODICE Code	TIPO Size	PREZZO Price €	CONF. Unit/Box
1658G140414DR	14 x 1/2" x 14	11,14	10/100
1658G160416DR	16 x 1/2" x 16	10,08	10/100
1658G180418DR	18 x 1/2" x 18	11,67	10/100
1658G180518DR	18 x 3/4" x 18	13,51	10/100
1658G200420DR	20 x 1/2" x 20	11,46	5/100
1658G200520DR	20 x 3/4" x 20	12,40	5/50
1658G260426DR	26 x 1/2" x 26	21,17	5/25
1658G260526DR	26 x 3/4" x 26	20,69	5/25
1658G260626DR	26 x 1" x 26	24,34	5/25
1658G320632DR	32 x 1" x 32	25,76	5/25
1658G400740DR	40 x 1"1/4 x 40	37,95	5/20



**ART. 1662DR**  
Flangia per cassetta W.C. incasso  
Wallplate elbow female for built-in WC

CODICE Code	TIPO Size	PREZZO Price €	CONF. Unit/Box
1662G001604DR	16 x 1/2"	14,47	10/50
1662G001804DR	18 x 1/2"	14,68	10/50
1662G002004DR	20 x 1/2"	15,12	5/25



**ART. 1659DR**  
T femmina  
Tee female

CODICE Code	TIPO Size	PREZZO Price €	CONF. Unit/Box
1659G140414DR	14 x 1/2" x 14	13,71	10/100
1659G160416DR	16 x 1/2" x 16	9,78	10/100
1659G180418DR	18 x 1/2" x 18	11,02	10/100
1659G180518DR	18 x 3/4" x 18	13,71	10/50
1659G200420DR	20 x 1/2" x 20	10,12	5/50
1659G200520DR	20 x 3/4" x 20	13,54	5/50
1659G260426DR	26 x 1/2" x 26	22,26	5/25
1659G260526DR	26 x 3/4" x 26	20,28	5/25
1659G320432DR	32 x 1/2" x 32	32,15	5/25
1659G320532DR	32 x 3/4" x 32	29,15	5/25
1659G320632DR	32 x 1" x 32	29,20	5/25
1659G400640DR	40 x 1" x 40	36,55	5/20
1659G400740DR	40 x 1 1/4" x 40	40,46	5/20
1659G500550DR	50 x 3/4" x 50	60,17	1/10
1659G500650DR	50 x 1" x 50	61,79	1/10
1659G630663DR	63 x 1" x 63	104,04	1/5



**ART. 1665DR**  
Raccordo  
diritto con  
girello e  
guarnizione  
piana  
Straight fitting  
with loose nut and flat washer

CODICE Code	TIPO Size	PREZZO Price €	CONF. Unit/Box
1665G001603DR	16 x 3/8"	3,73	10/100
1665G001604DR	16 x 1/2"	3,62	10/100
1665G002004DR	20 x 1/2"	4,47	10/100



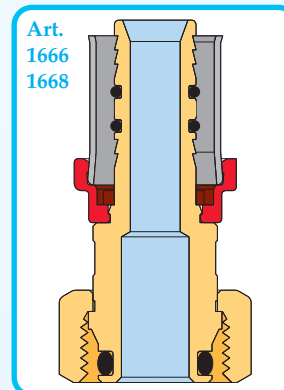
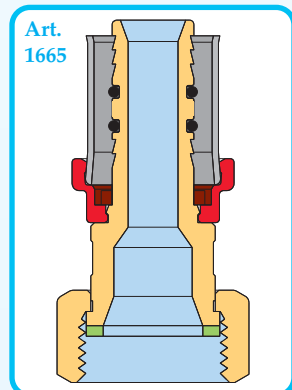
**ART. 1666DR**  
Raccordo  
diritto con  
girello  
su attacchi  
3/4" x 18  
(EUROCONO)  
Straight fitting  
with loose nut  
for 3/4" x 18  
connections  
(EUROCONUS)

CODICE Code	TIPO Size	PREZZO Price €	CONF. Unit/Box
1666G001405DR	14 x 3/4"	12,20	10/100
1666G001605DR	16 x 3/4"	11,03	10/100
1666G001805DR	18 x 3/4"	12,20	10/100
1666G002005DR	20 x 3/4"	11,51	10/100



**ART. 1668DR**  
Raccordo  
diritto  
con girello  
su  
attacchi 1/2" x 16  
Straight fitting  
with loose nut for  
1/2" x 16  
connections

CODICE Code	TIPO Size	PREZZO Price €	CONF. Unit/Box
1668G1404DR	14 x 1/2"	4,38	10/100
1668G1604DR	16 x 1/2"	3,94	10/100
1668G1804DR	18 x 1/2"	4,71	10/100
1668G2004DR	20 x 1/2"	4,80	10/100



**ART. 1677DR**  
Terminale  
Stop end

CODICE Code	TIPO Size	PREZZO Price €	CONF. Unit/Box
1677G0014DR	14	6,80	10/100
1677G0016DR	16	6,78	10/100
1677G0018DR	18	7,42	10/100
1677G0020DR	20	8,09	10/100
1677G0026DR	26	9,24	5/50
1677G0032DR	32	10,66	5/50
1677G0040DR	40	19,50	5/25



**ART. 1669DR**  
Raccordo  
curvo maschio  
con  
girello  
Elbow fitting male  
with loose nut  
connector

CODICE Code	TIPO Size	PREZZO Price €	CONF. Unit/Box
1669G263006DR	26 x 1"	20,29	5/25



# TUBO MULTISTRATO "AL-COBRAPEX" - PE-X/AL/PE-X "AL-COBRAPEX" MULTILAYER PIPE



## ART. 0600 - 0660

Tubo in polietilene reticolato con anima in alluminio - Colore Bianco  
White rolls cross-linked polyethylene pipe with aluminium insert. In coils

CODICE Code	TIPO Size	ALLUM. Alum.	PREZZO Price €	CONF. Unit/Box
0600B142010	14 x 2,0	0,30	vedi cap. 19	100 m/1800 m
0600B162010	16 x 2,0	0,30	vedi cap. 19	100 m/1800 m
0600B182010	18 x 2,0	0,35	vedi cap. 19	100 m/1800 m
0600B202010	20 x 2,0	0,40	vedi cap. 19	100 m/1800 m
0600B263005	26 x 3,0	0,65	vedi cap. 19	50 m/900 m
0600B323002	32 x 3,0	0,85	vedi cap. 19	25 m/500 m
0660B142010	14 x 2,0	0,20	vedi cap. 19	100 m/2800 m
0660B162010	16 x 2,0	0,20	vedi cap. 19	100 m/2800 m
0660B182010	18 x 2,0	0,25	vedi cap. 19	100 m/1800 m
0660B202010	20 x 2,0	0,25	vedi cap. 19	100 m/1800 m
0660B252505	25 x 2,5	0,30	vedi cap. 19	50 m/900 m
0660B263005	26 x 3,0	0,30	vedi cap. 19	50 m/900 m
0660B323002	32 x 3,0	0,50	vedi cap. 19	25 m/250 m



## ART. 0600

Tubo in polietilene reticolato con anima in alluminio - Colore Bianco.  
In barre.  
White bars cross-linked polyethylene pipe with aluminium insert. In lengths

CODICE Code	TIPO Size	ALLUM. Alum.	PREZZO Price €	CONF. Unit/Box
0600B162001	16 x 2,0	0,30	vedi cap. 19	4 m x 15 pz= 60 m
0600B182001	18 x 2,0	0,35	vedi cap. 19	4 m x 10 pz= 40 m
0600B202001	20 x 2,0	0,40	vedi cap. 19	4 m x 10 pz= 40 m
0600B263001	26 x 3,0	0,65	vedi cap. 19	4 m x 10 pz= 40 m
0600B323001	32 x 3,0	0,85	vedi cap. 19	4 m x 10 pz= 40 m
0600B403501	40 x 3,5	1,00	vedi cap. 19	4 m x 5 pz= 20 m
0600B504001	50 x 4,0	1,20	vedi cap. 19	4 m x 5 pz= 20 m
0600B634501	63 x 4,5	1,50	vedi cap. 19	4 m x 3 pz= 12 m
0660B142001	14 x 2,0	0,20	vedi cap. 19	4 m x 15 pz= 60 m
0660B162001	16 x 2,0	0,20	vedi cap. 19	4 m x 60 pz= 240 m
0660B182001	18 x 2,0	0,25	vedi cap. 19	4 m x 40 pz= 160 m
0660B202001	20 x 2,0	0,25	vedi cap. 19	4 m x 40 pz= 160 m
0660B252501	25 x 2,5	0,30	vedi cap. 19	4 m x 20 pz= 80 m
0660B263001	26 x 3,0	0,30	vedi cap. 19	4 m x 20 pz= 80 m
0660B323001	32 x 3,0	0,50	vedi cap. 19	4 m x 15 pz= 60 m



## ART. 0630B

Tubo multistrato rivestito blu isolato  
Multilayer insulated pipe with blue sheath

CODICE Code	TIPO Size	ALLUM. Alum.	PREZZO Price €	CONF. Unit/Box
0630B142005	14 x 2,0	0,20	vedi cap. 19	50 m/700 m
0630B162005	16 x 2,0	0,20	vedi cap. 19	50 m/700 m
0630B162010	16 x 2,0	0,20	vedi cap. 19	100 m/1300 m
0630B182005	18 x 2,0	0,25	vedi cap. 19	50 m/650 m
0630B202005	20 x 2,0	0,25	vedi cap. 19	50 m/700 m
0630B252505	25 x 2,5	0,30	vedi cap. 19	50 m/500 m
0630B263005	26 x 3,0	0,30	vedi cap. 19	50 m/500 m



## ART. 0630R

Tubo multistrato rivestito rosso isolato  
Multilayer insulated pipe with red sheath

CODICE Code	TIPO Size	ALLUM. Alum.	PREZZO Price €	CONF. Unit/Box
0630R142005	14 x 2,0	0,20	vedi cap. 19	50 m/700 m
0630R162005	16 x 2,0	0,20	vedi cap. 19	50 m/700 m
0630R162010	16 x 2,0	0,20	vedi cap. 19	100 m/1300 m
0630R182005	18 x 2,0	0,25	vedi cap. 19	50 m/650 m
0630R202005	20 x 2,0	0,25	vedi cap. 19	50 m/700 m
0630R252505	25 x 2,5	0,30	vedi cap. 19	50 m/500 m
0630R263005	26 x 3,0	0,30	vedi cap. 19	50 m/500 m



## ART. 0670B

Tubo multistrato rivestito blu isolato  
Multilayer insulated pipe with blue sheath

CODICE Code	TIPO Size	ALLUM. Alum.	PREZZO Price €	CONF. Unit/Box
0670B162005	16 x 2,0	0,30	vedi cap. 19	50 m/700 m
0670B182005	18 x 2,0	0,35	vedi cap. 19	50 m/650 m
0670B202005	20 x 2,0	0,40	vedi cap. 19	50 m/700 m



## ART. 0670R

Tubo multistrato rivestito rosso isolato  
Multilayer insulated pipe with red sheath

CODICE Code	TIPO Size	ALLUM. Alum.	PREZZO Price €	CONF. Unit/Box
0670R162005	16 x 2,0	0,30	vedi cap. 19	50 m/700 m
0670R182005	18 x 2,0	0,35	vedi cap. 19	50 m/650 m
0670R202005	20 x 2,0	0,40	vedi cap. 19	50 m/700 m

# TUBO MULTISTRATO "AL-COBRAPEX" - PE-X/AL/PE-X "AL-COBRAPEX" MULTILAYER PIPE



## ART. 0615B

Tubo multistrato rivestito bianco isolato  
*Multilayer insulated pipe with white sheath*

CODICE Code	TIPO Size	ALLUM. Alum.	PREZZO Price €	CONF. Unit/Box
0615B162005	16 x 2,0	0,40	vedi cap. 19	50 m/700 m



## ART. 0635

Tubo multistrato rivestito verde per raffreddamento  
*Multilayer pipe with green sheath for cooling systems*

CODICE Code	TIPO Size	ALLUM. Alum.	PREZZO Price €	CONF. Unit/Box
0635V162005	16 x 2,0	0,20	vedi cap. 19	50 m/500 m
0635V182005	18 x 2,0	0,25	vedi cap. 19	50 m/450 m
0635V202005	20 x 2,0	0,25	vedi cap. 19	50 m/450 m
0635V263002	26 x 3,0	0,30	vedi cap. 19	25 m/250 m



## ART. 0640B

Tubo multistrato con guaina corrugata blu  
*Multilayer pipe with corrugated blue sheath*

CODICE Code	TIPO Size	ALLUM. Alum.	PREZZO Price €	CONF. Unit/Box
0640B142005	14 x 2,0	0,20	vedi cap. 19	50 m/900 m
0640B162005	16 x 2,0	0,20	vedi cap. 19	50 m/1350 m
0640B162010	16 x 2,0	0,20	vedi cap. 19	100m/1000m
0640B182005	18 x 2,0	0,25	vedi cap. 19	50 m/900 m
0640B202005	20 x 2,0	0,25	vedi cap. 19	50 m/1350 m



## ART. 0640R

Tubo multistrato con guaina corrugata rossa  
*Multilayer pipe with corrugated red sheath*

CODICE Code	TIPO Size	ALLUM. Alum.	PREZZO Price €	CONF. Unit/Box
0640R142005	14 x 2,0	0,20	vedi cap. 19	50 m/900 m
0640R162005	16 x 2,0	0,20	vedi cap. 19	50 m/1350 m
0640R162010	16 x 2,0	0,20	vedi cap. 19	100 m/1000 m
0640R182005	18 x 2,0	0,25	vedi cap. 19	50 m/900 m
0640R202005	20 x 2,0	0,25	vedi cap. 19	50 m/1350 m



## ART. 0625

Calza P.V.C. trasparente CL 1 di tenuta  
*Transparent P.V.C. seal*

CODICE Code	TIPO Size	PREZZO Price €	CONF. Unit/Box
0625P0012	12	vedi cap. 19	10/250
0625P0014	14	vedi cap. 19	10/250
0625P0016	16	vedi cap. 19	10/250
0625P0018	18	vedi cap. 19	10/250
0625P0020	20	vedi cap. 19	10/250



## ART. 0900B

Guaina corrugata blu per la protezione del tubo  
*Corrugated blue sheath for protection of the pipe*

CODICE Code	TIPO Size	PREZZO Price €/m	CONF. Unit/Box
0900B242010	L=100 m Ø int.=20 mm	vedi cap. 19	100/1000 m
0900B2823	L=50 m Ø int.=23 mm	vedi cap. 22	50/1000 m
0900B282310	L=100 m Ø int.=23 mm	vedi cap. 19	100/1000 m
0900B3328	L=50 m Ø int.=28 mm	vedi cap. 19	50/500 m



## ART. 0900R

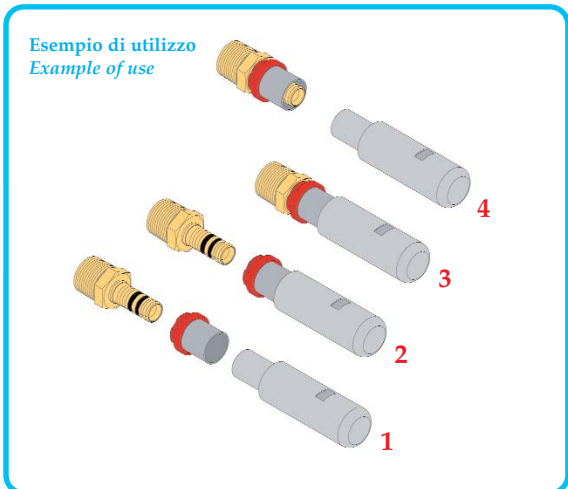
Guaina corrugata rossa per la protezione del tubo  
*Corrugated red sheath for protection of the pipe*

CODICE Code	TIPO Size	PREZZO Price €/m	CONF. Unit/Box
0900R242010	L=100 m Ø int.=20 mm	vedi cap. 19	100/1000 m
0900R2823	L=50 m Ø int.=23 mm	vedi cap. 22	50/1000 m
0900R282310	L=100 m Ø int.=23 mm	vedi cap. 19	100/1000 m
0900R3328	L=50 m Ø int.=28 mm	vedi cap. 19	50/500 m



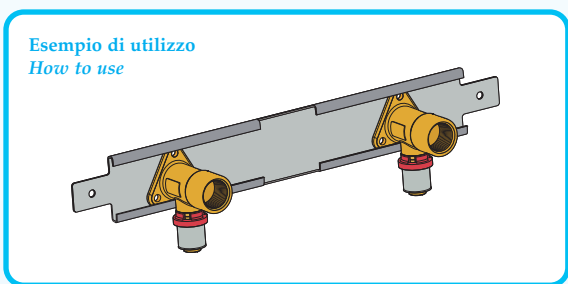
**ART. 1699**  
Attrezzo montaggio bussola inox  
Inox sleeve assembling tool

CODICE Code	TIPO Size	PREZZO Price €	CONF. Unit/Box
1699X0014	14	48,53	1/1
1699X0016	16	48,53	1/1
1699X0018	18	48,53	1/1
1699X0020	20	48,53	1/1
1699X0026	26	48,53	1/1
1699X0032	32	48,53	1/1
1699X0040	40	48,53	1/1



**ART. 1493Z**  
Staffa per art. 1656  
Bracket for art. 1656

CODICE Code	TIPO Size	PREZZO Price €	CONF. Unit/Box
1493Z340045010	unica - single	2,93	1/100

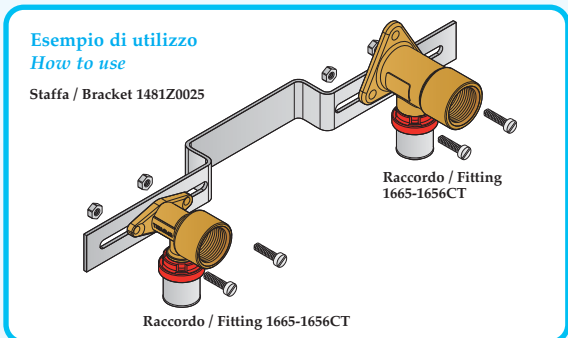


Utilizzabile nei riferimenti da Ø 14 e Ø 16  
To be used with Ø 14 and Ø 16 adapters



**ART. 1481**  
Per art. 1656-1656LT  
For art. 1656-1656LT  
Staffa per curve flangiate  
Bracket for wallplate elbow

CODICE Code	TIPO Size	PREZZO Price €	CONF. Unit/Box
1481Z0025	unica - single	vedi cap. 8	1/100



**ART. 1495**  
Cesoia taglia tubo  
Pipe cutter

CODICE Code	TIPO Size	PREZZO Price €	CONF. Unit/Box
1495R0035	0 - 35	vedi cap. 19	1/1



**ART. 1496**  
Cesoia taglia tubo  
Pipe cutter

CODICE Code	TIPO Size	PREZZO Price €	CONF. Unit/Box
1496R0020	14 - 16 - 18 - 20	vedi cap. 19	1/1



**ART. 1682**  
Sbavatore  
Reamer

CODICE Code	TIPO Size	PREZZO Price €	CONF. Unit/Box
1682G0000	unica - single	vedi cap. 19	1/1



**ART. 1683**  
Cesoia taglia tubo + sbavatore  
Pipe cutter with reamer

CODICE Code	TIPO Size	PREZZO Price €	CONF. Unit/Box
1683B0032	0 - 32	vedi cap. 19	1/1
1683B0063	0 - 67	vedi cap. 19	1/1



**ART. 1695TM01**

Pressatrice a batteria TIEMME versione standard per tubo da Ø 14 a Ø 63 compreso  
*Standard Battery crimping machine pipe size from Ø 14 up to Ø 63*

**NEW**

CODICE Code	SET PINZE Jaws	PREZZO Price €	CONF. Unit/Box
1695TM01V	non fornito / no	2.271,18	1/1
1695TM01S	16 - 20 - 26	2.964,79	1/1

**DESCRIZIONE  
DESCRIPTION**

La pressatrice viene fornita in valigetta completa di: batteria ricaricabile NiMh 12 Vdc/2,0 Ah; carica batterie; set di pinze (se previsto) Ø 16, Ø 20, Ø 26

*The metallic box supplied with the crimp machine includes : rechargeable battery NiMh 12 Vdc/1,9 Ah, battery recharger, set of jaws Ø 16, Ø 20, Ø 26 (if expected)*



**ART. 1695TM02**

Pressatrice a batteria TIEMME versione MINI per tubo da Ø 14 a Ø 32 compreso  
*MINI Battery crimping machine pipe size from Ø 14 up to Ø 32*

**NEW**

CODICE Code	SET PINZE Jaws	PREZZO Price €	CONF. Unit/Box
1695TM02V	non fornito / no	2.336,83	1/1
1695TM02S	16 - 20 - 26	2.994,55	1/1

**DESCRIZIONE  
DESCRIPTION**

La pressatrice viene fornita in valigetta completa di: batteria ricaricabile NiMh 12 Vdc/1,9 Ah; carica batterie; set di pinze (se previsto) Ø 16, Ø 20, Ø 26

*The metallic box supplied with the crimp machine includes : rechargeable battery NiMh 12 Vdc/1,9 Ah, battery recharger, set of jaws Ø 16, Ø 20, Ø 26 (if expected)*



**ART. 1695TM01A**

Adattatore di rete 230 Vac per pressatrice TIEMME  
*230 Vac adaptor suitable for Tiemme crimping machine*

**NEW**

CODICE Code	ALIMENTAZIONE Power supply	PREZZO Price €	CONF. Unit/Box
1695TM01A	230 Vac	612,65	1/1

L'adattatore di rete sostituisce la batteria in caso sia disponibile una presa di corrente (lunghezza cavo 5 m.)

*The adaptor can be used when an electric socket is available (the wire is 5 mt. long)*



**ART. 1695TM02A**

Adattatore di rete 230 Vac per pressatrice TIEMME MINI  
*230 Vac adaptor suitable for Tiemme crimping machine*

**NEW**

CODICE Code	ALIMENTAZIONE Power supply	PREZZO Price €	CONF. Unit/Box
1695TM02A	230 Vac	612,65	1/1

L'adattatore di rete sostituisce la batteria in caso sia disponibile una presa di corrente (lunghezza cavo 5 m.)

*The adaptor can be used when an electric socket is available (the wire is 5 mt. long)*



**ART. 1695TM01B**

Batteria NiMh 12 Vdc / 2,0 Ah per pressatrice  
*NiMh Battery 12 Vdc / 2,0 Ah for crimping machine*

**NEW**

CODICE Code	TENSIONE Voltage	PREZZO Price €	CONF. Unit/Box
1695TM01B	12 Vdc / 2,0 Ah	315,08	1/1



**ART. 1695TM02B**

Batteria NiMh 12 Vdc / 1,9 Ah per pressatrice MINI  
*NiMh Battery 12 Vdc / 1,9 Ah for MINI crimping machine*

**NEW**

CODICE Code	TENSIONE Voltage	PREZZO Price €	CONF. Unit/Box
1695TM02B	12 Vdc / 1,9 Ah	284,45	1/1



**ART. 1695TM01C**

Caricabatteria per art. 1695TM01B  
*Battery charger for art. 1695TM01B*

**NEW**

CODICE Code	ALIMENTAZIONE Power supply	PREZZO Price €	CONF. Unit/Box
1695TM01C	230 Vac / 12 Vdc	256,00	1/1



**ART. 1695TM02C**

Caricabatteria per art. 1695TM02B  
*Battery charger for art. 1695TM02B*

**NEW**

CODICE Code	ALIMENTAZIONE Power supply	PREZZO Price €	CONF. Unit/Box
1695TM02C	230 Vac / 12 Vdc	175,04	1/1



**ART. 1681MINI**  
Pinze profilo TH - personalizzato  
TM per pressatrice MINI  
Pressing jaws - TH profile -  
branded TM for  
MINI crimping machine

**NEW**

CODICE Code	TIPO Size	PREZZO Price €	CONF. Unit/Box
1681G0014MINI	14	212,24	1/1
1681G0016MINI	16	212,24	1/1
1681G0018MINI	18	212,24	1/1
1681G0020MINI	20	218,37	1/1
1681G0025MINI	25	227,12	1/1
1681G0026MINI	26	227,12	1/1
1681G0032MINI	32	230,18	1/1



**ART. 1681**  
Pinze profilo TH -  
personalizzato TM  
Pressing jaws - TH profile -  
branded TM

CODICE Code	TIPO Size	PREZZO Price €	CONF. Unit/Box
1681G0014	14	227,56	1/1
1681G0016	16	227,56	1/1
1681G0018	18	227,56	1/1
1681G0020	20	227,56	1/1
1681G0025	25	238,50	1/1
1681G0026	26	238,50	1/1
1681G0032	32	238,50	1/1
1681G0040	40	253,81	1/1
1681G0050 *	50	1.378,46	1/1
1681G0063 *	63	1.487,87	1/1

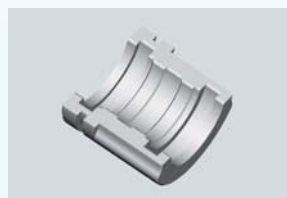
\* Pinze a 3 settori - 3 pieces pressing jaws



**ART. 1685M**  
Pressatrice manuale  
Manual crimping machine

CODICE Code	TIPO Size	PREZZO Price €	CONF. Unit/Box
1685M0001	Ø14 ÷ Ø26	688,71	1/1

Inserti non presenti in cassetta  
Inserts not supplied with the machine



**ART. 1685US**  
Inserto per pressatrice manuale  
PROFILO TH  
Insert for manual crimping machine  
TH PROFILE

CODICE Code	TIPO Size	PREZZO Price €	CONF. Unit/Box
1685US0014	14	105,03	1/1
1685US0016	16	105,03	1/1
1685US0018	18	105,03	1/1
1685US0020	20	105,03	1/1
1685US0025	25	105,03	1/1
1685US0026	26	105,03	1/1



**ART. 4530**  
Srotolatore tubo  
Pipe decoiler

CODICE Code	TIPO Size	PREZZO Price €	CONF. Unit/Box
4530S01	50	674,39	1/1



**ART. 1689**  
Raddrizza tubi "Al-Cobrapex"  
Straightening device

CODICE Code	TIPO Size	PREZZO Price €	CONF. Unit/Box
1689B1426	14 - 26	553,56	1/1



**ART. 1689X**  
Adattatore per fissaggio  
raddrizza tubi sul srotolatore  
Adaptor to fix the pipe straighten  
onto the uncoiler

CODICE Code	TIPO Size	PREZZO Price €	CONF. Unit/Box
1689X4530		63,97	1/1



**ART. 1497**  
Molla curvatubo a sezione quadra  
Pipe bending spring with square section

CODICE Code	TIPO Size	PREZZO Price €	CONF. Unit/Box
Per interno tubo L = 100 cm / For inside of pipe L = 100 cm			
1497A1014	14	18,74	1/125
1497A1216	16	18,74	1/100
1497A1418	18	18,74	1/100
1497A1620	20	18,74	1/80
1497A2026	25 - 26	18,74	1/80
Per esterno tubo L = 50 cm / For outside of pipe L = 50 cm			
1497A14EST	14	18,74	1/60
1497A16EST	16	18,74	1/60
1497A18EST	18	18,74	1/60
1497A20EST	20	18,74	1/60



**ART. 1498SET**  
Valigetta con set calibratori / sbavatori  
Plastic case with deburring tools set

CODICE Code	TIPO Size	PREZZO Price €	CONF. Unit/Box
1498SET1440	14 ÷ 40	717,48	1/1
1498SET1626	16 - 20 - 25 - 26	353,94	1/1

comprensiva di impugnatura intercambiabile e utensili complete of interchangeable "T" handle and deburring tools  
Ø14x2,0 - Ø16x2,0 - Ø18x2,0 - Ø20x2,0 - Ø25x2,5 - Ø26x3,0  
Ø32x3,0 - Ø40x3,5



**ART. 1498US**  
Utensili calibratori / sbavatori intercambiabili  
Interchangeable deburring tools

CODICE Code	TIPO Size	PREZZO Price €	CONF. Unit/Box
1498US1420	14 x 2,0	68,27	1/1
1498US1620	16 x 2,0	69,20	1/1
1498US1820	18 x 2,0	72,67	1/1
1498US2020	20 x 2,0	76,38	1/1
1498US2630	25 x 2,5 - 26 x 3,0	81,93	1/1
1498US3230	32 x 3,0	103,37	1/1
1498US4035	40 x 3,5	122,67	1/1
1498US5040 *	50 x 4,0	123,59	1/1
1498US6345 *	63 x 4,5	135,85	1/1

da utilizzare con art. 1498MT per operazioni manuali o con trapano  
to be used with art. 1498MT for manual operations or with drilling machine

\* da utilizzare con chiave a tubo esagonale 10  
to be used with pipe wrench 10 hexagonal



**ART. 1684**  
Curva tubi  
Pipe bending machine

CODICE Code	TIPO Size	PREZZO Price €	CONF. Unit/Box
1684B1632	16 - 32	743,08	1/1



**ART. 1498UM**  
Calibratori / sbavatori con impugnatura fissa  
Deburring tools with fixed "T" handle

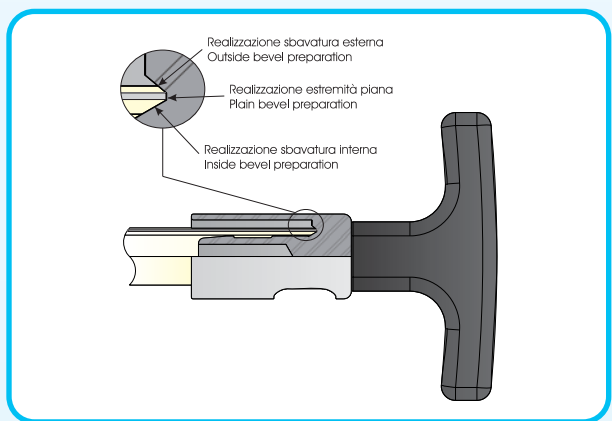
CODICE Code	TIPO Size	PREZZO Price €	CONF. Unit/Box
1498UM1620	16 x 2,0	85,16	1/1
1498UM1820	18 x 2,0	91,19	1/1
1498UM2020	20 x 2,0	92,11	1/1
1498UM2630	25 x 2,5 - 26 x 3,0	100,46	1/1
1498UM3230	32 x 3,0	121,75	1/1

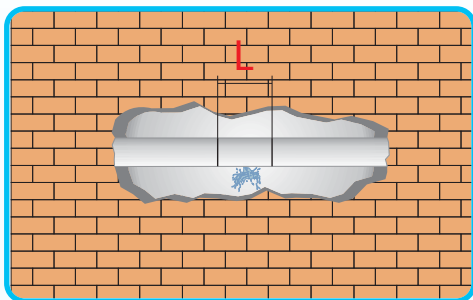


**ART. 1498MT**  
Impugnatura a "T" intercambiabile  
Interchangeable "T" handle

CODICE Code	TIPO Size	PREZZO Price €	CONF. Unit/Box
1498MT0001	"T"	71,75	1/1

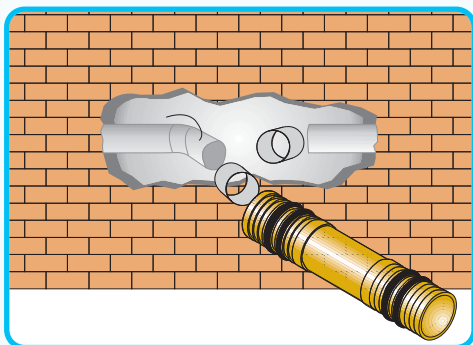
da utilizzare con art. 1498US per operazioni manuali  
to be used with art. 1498US for manual operations





Eeguire in prossimità del punto dove si verifica una foratura accidentale un taglio di larghezza L=30 mm. Il taglio deve essere perfettamente perpendicolare ai tubo e per facilitare questa operazione é consigliato l'utilizzo dell'apposito cesoia taglia tubo (vedi Art. 1495 o 1496)

*First cut the pipe about L=30 mm, from the hole/leak. Be careful to use the appropriate instruments to have a precise cut, perpendicular to the tube axis and without any trimming(see Art. 1495 or 1496)*



Ruotare un capo del tubo tagliato in modo da facilitare l'inserimento (da effettuarsi in successione) delle bussole e della prolunga ripara tubi (Art. 1671)

*Bend the end of the pipe to easily insert the pipe support and the extension repairing pipes.(Art. 1671)*

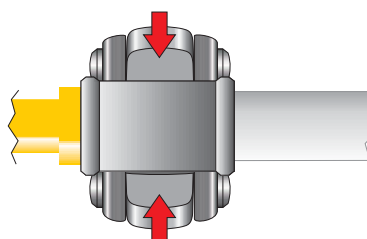
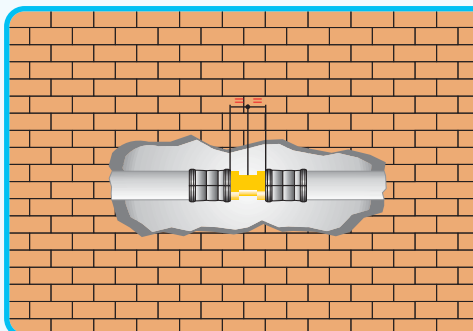


FIG.1

Posizionare le bussole in prossimità delle estremità tagliate del tubo.

Una volta inserita anche nell'altro capo di tubo da riparare l'apposita prolunga, procedere alla pressatura delle bussole (vedi fig.1) tenendo l'apposita scanalatura di riferimento in posizione centrale rispetto al taglio sul tubo precedentemente eseguito. Per l'operazione di pressatura é consigliato l'utilizzo dell'apposita pressatrice elettrica.

*First, place the pipe support into the end of the pipe.*

*Then insert the extension repairing pipe, start the pressing (see fig.1) by holding the slot (of the extension repairing pipe) exactly in central position. We suggest to use the electric crimping machine to make the pressing operation.*

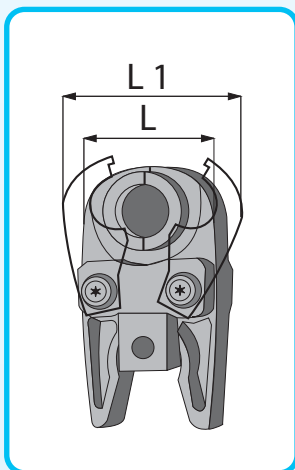


TABELLA INGOMBRI DELLE PINZE PRESSATRICI  
 OVERALL DIMENSIONS OF PRESSING TONGS

CODICE/CODE	MISURA/SIZE	L (mm)	L1 (mm)
1681G0014	14	101	104
1681G0016	16	101	104
1681G0018	18	101	104
1681G0020	20	101	104
1681G0025	25	101	115
1681G0026	26	101	115
1681G0032	32	101	115
1681G0040	40	101	120
1681G0050	50	165	175
1681G0063	63	175	185

TABELLA INGOMBRI DELLE PINZE PRESSATRICI  
 OVERALL DIMENSIONS OF PRESSING TONGS

CODICE/CODE	MISURA/SIZE	L (mm)	L1 (mm)
1681G0014MINI	14	101	101
1681G0016MINI	16	101	101
1681G0018MINI	18	101	101
1681G0020MINI	20	101	101
1681G0025MINI	25	101	108
1681G0026MINI	26	101	108
1681G0032MINI	32	101	108

L= ganasce in posizione di chiusura  
 L1= ganasce in posizione di apertura

*L=jaws in closed position  
 L1=jaws in opened position*

Per ottenere una perfetta giunzione, ed in funzione del tipo di raccordo che verrà in seguito utilizzato, si devono eseguire alcune semplici ma importanti operazioni.

- Per prima cosa si deve procedere al taglio del tubo nella misura desiderata. Per effettuare il taglio è consigliabile utilizzare un tagliatubi o l'apposita cesoia, facendo in modo che il taglio sia il più perpendicolare possibile rispetto all'asse del tubo stesso come mostrato in figura 1.

- Procedere quindi alla **sbavatura** ed alla **calibratura** del tubo utilizzando l'attrezzo indicato in figura 2. Il calibro va inserito nella tubazione e quindi ruotato in senso orario.

- I raccordi a pressare - figura 3 - sono caratterizzati dal sistema di tenuta che avviene mediante la deformazione meccanica della bussola esterna in acciaio inox. Tale deformazione viene realizzata per mezzo di un apposito attrezzo munito di idonee pinze in acciaio; così facendo si ha la certezza che la pressione di serraggio rimane sempre la stessa ed a livello ottimale per tutti i raccordi aumentando l'affidabilità della giunzione.

I raccordi a pressare Tiemme sono inoltre caratterizzati dalla presenza di un anello in plastica che riassume in sé due funzioni molto importanti. La prima, poichè trattasi di materiale plastico, è la sua funzione dielettrica, non consente cioè che lo strato interno in alluminio del tubo possa venire a contatto con il corpo del raccordo (in ottone) innescando così un possibile effetto pila. La seconda funzione, anch'essa di fondamentale importanza, è quella che consente all'installatore di verificare visivamente e con estrema facilità se e quando il tubo è correttamente inserito nel raccordo. Questa possibilità di semplice ed immediata verifica, garantisce una tranquillità di installazione non comune in altri tipi di raccordi. Le condizioni nominali di esercizio dei raccordi a pressare sono le seguenti:

- Temperatura max. di esercizio = 95°C
- Temperatura max. di picco = 110°C
- Pressione max. di esercizio = 10 bar

Questa gamma di raccordi è disponibile, nelle varie versioni (vedi tabella in appendice) per tutti i diametri dei tubi "AL-COBRAPEX" dal Ø 14 mm al Ø 63 mm.

Ricordiamo che il profilo delle ganasce da utilizzare per la pressatura dei raccordi TIEMME deve essere di tipo **TH**

*In order to achieve a perfect connection it is necessary to follow the simple and basic procedures indicated below:*

*- First, cut the pipe to the desired size by using a pipe-cutter, making sure that pipe cutting is perpendicular to pipe axis (fig. 1).*

*- Then, trim and calibrate the tube by using the tool indicated in fig. 2. Insert the gauge into the pipe, then alternately turn it in a clockwise and in a counter-clockwise direction.*

*- Press fittings – see picture 3 – are sealed thanks to the deformation of the stainless steel sleeve. This deformation is achieved by using a crimping machine which is provided with steel jaws; Tiemme press fittings are also characterised by a plastic ring which has two important functions.*

*First, as it is a plastic material, it has a dielectric function, avoiding the contact between aluminium inner coating and brass pipe fitting in order to prevent battery ignition effect. Secondly, it allows the installer to easily check if and when the pipe is correctly fitted. Unlike other fittings, this fitting can be easily installed, thanks to a simple and rapid checking. Press fittings have the following working nominal values:*

- Max. working temperature = 95°C
- Max. peak temperature = 110°C
- Max. working pressure = 10 bar

*These fittings are available in various versions (see table in the appendix) for "AL-COBRAPEX" pipe diameters which range from 14 to 63 mm.*

*Kindly note that TH profile is required to press TIEMME fittings*

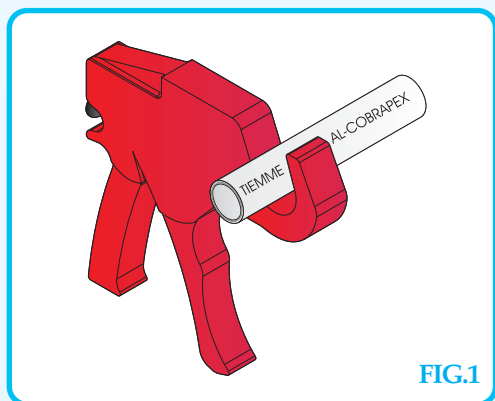


FIG.1

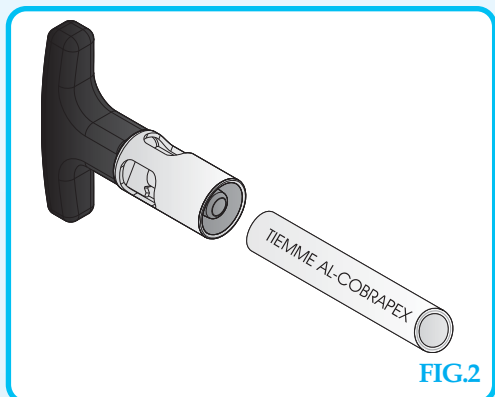


FIG.2

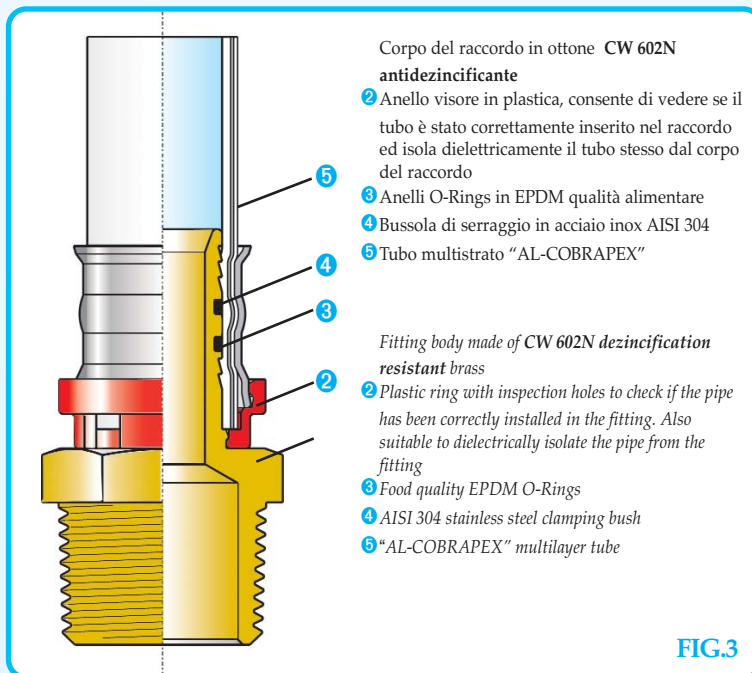


FIG.3



## Raccordi Multi-pinza

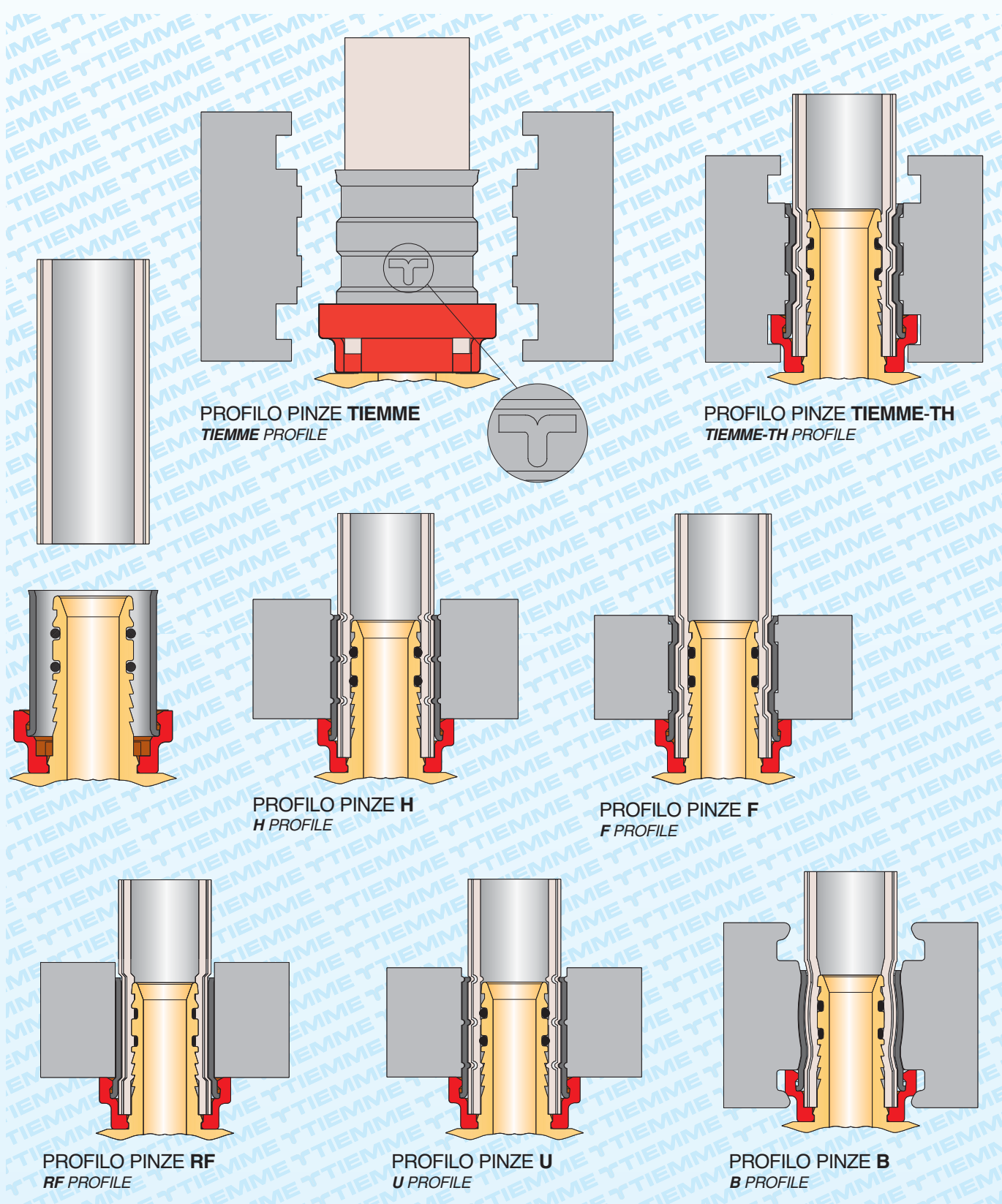
*Multi-jaws connection system now*

Studiato e testato per essere utilizzato indifferentemente con 7 profili diversi:

**TIEMME**, TH, U, H, F, B, RF.

*Designed and tested for easy use with 7 different clamping profiles:*

**TIEMME**, TH, U, H, F, B, RF.





# Already...

# READY

ISO 17484-2006  
UNI EN 1775:2004

Sistema multistrato per  
la realizzazione di impianti  
interni per la distribuzione  
di combustibili gassosi (MOP5)

*Multilayer System for  
indoor gas installations (MOP5)*



**WaterMark**  
Australian Standard